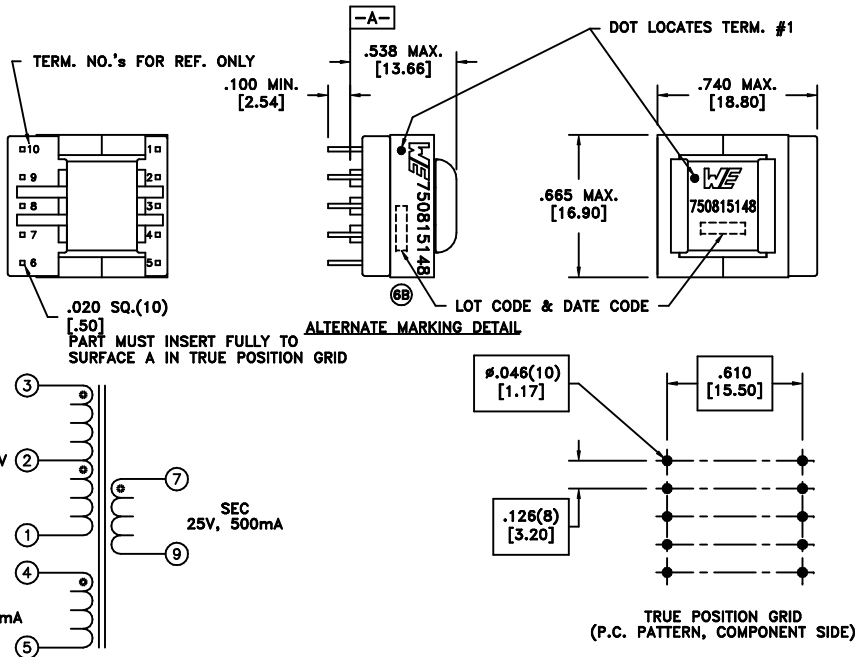


CUSTOMER TERMINAL	RoHS	LEAD(Pb)-FREE
Sn96%, Ag4%	Yes	Yes

more than you expect



ELECTRICAL SPECIFICATIONS @ 25°C unless otherwise noted:

PARAMETER	TEST CONDITIONS	VALUE
D.C. RESISTANCE	1-3 @20°C	3.63 ohms ±10%
D.C. RESISTANCE	4-5 @20°C	2.78 ohms ±10%
D.C. RESISTANCE	7-9 @20°C	0.140 ohms ±10%
INDUCTANCE	1-3 10kHz, 100mVAC, Ls	1.40mH ±10%
SATURATION CURRENT	20% rolloff from initial	700mA
LEAKAGE INDUCTANCE	1-3 tie(4+5, 7+9), 100kHz, 100mVAC, Ls	23.0uH typ., 50.0uH max.
DIELECTRIC	1-7 tie(3+4), 4250VAC, 1 second	3400VAC, 1 minute
DIELECTRIC	1-4 625VAC, 1 second	500VAC, 1 minute
TURNS RATIO	(3-2):(2-1)	1.17:1, ±1%
TURNS RATIO	(3-1):(4-5)	6.84:1, ±1%
TURNS RATIO	(3-1):(7-9)	4.19:1, ±1%

GENERAL SPECIFICATIONS:

OPERATING TEMPERATURE RANGE: -40°C to +125°C including temp rise.

Designed to comply with the following requirements as defined by IEC60950-1, EN60950-1, UL60950-1/CSA60950-1 and AS/NZS60950.1:

- Reinforced insulation for a primary circuit at a working voltage of 400VDC.

Wire insulation & RoHS status not affected by wire color.
Wire insulation color may vary depending on availability.

REV.	DATE	Packaging Specifications Method: Tray PKG-0887 www.we-online.com/midcom		Tolerances unless otherwise specified: Angles: ±1° Fractions: ±1/64 Decimals: ±.005 [.13] Footprints: ±.001 [.03]	DRAWING TITLE TRANSFORMER	PART NO. 750815148
6B	11/12		CONVENTION PLACEMENT	This drawing is dual dimensioned. Dimensions in brackets are in millimeters.	eiSos p/n: 750815148	
6A	8/11	SEE REVISION SHEET FOR	REVISION LEVEL			SPECIFICATION SHEET 1 OF 1

