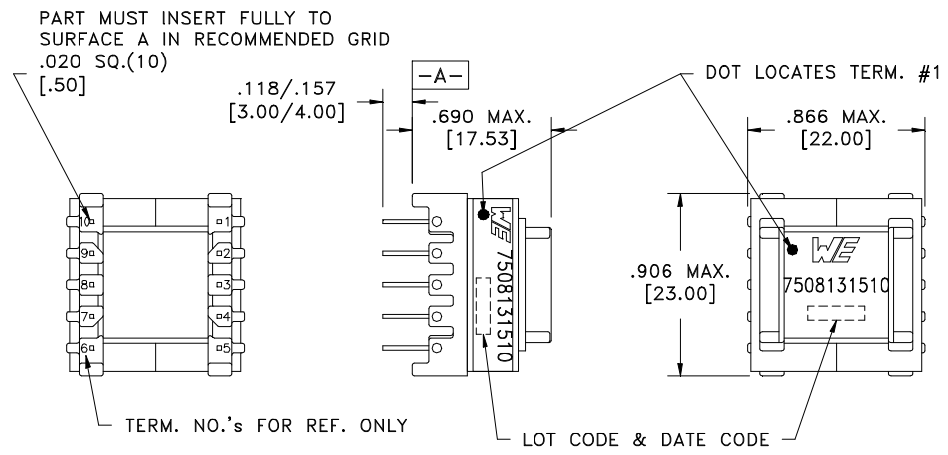
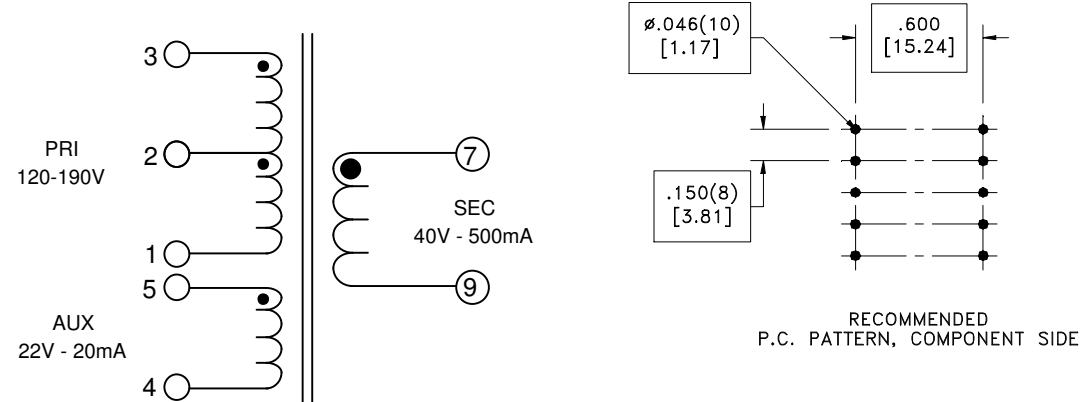


CUSTOMER TERMINAL	RoHS	LEAD(Pb)-FREE
Sn96%, Ag4%	Yes	Yes



ALTERNATE MARKING DETAIL



ELECTRICAL SPECIFICATIONS @ 25°C unless otherwise noted:

D.C. RESISTANCE (@20°C):	1-3 , 2.87 Ohms ±10%.
	4-5 , 0.250 Ohms ±10%.
	7-9 , 0.090 Ohms ±20%.
DIELECTRIC RATING:	3400VAC, 1 minute tested by applying 4250VAC for 1 second between pins 1-9(tie 3+4).
	500VAC, 1 minute tested by applying 625VAC for 1 second between pins 1-5.
INDUCTANCE:	2.80 mH ±10%, 10kHz, 100mVAC, 0mADC, 1-3, Ls.
SATURATION CURRENT:	750mA saturating current that causes 20% rolloff from initial inductance.
LEAKAGE INDUCTANCE:	40µH typ, 80µH max, 100kHz, 100mVAC, 1-3(tie 4+5, 7+9), Ls.
URNS RATIO:	(3-2):(2-1) , (1):(1.00) , ±1%.
	(3-1):(5-4) , (14.66):(1.00) , ±1%.
	(3-1):(7-9) , (8):(1.00) , ±1%.

Designed to comply with the following requirements as defined by IEC61558-2-16:

- Reinforced insulation for a primary circuit at a working voltage of 200VDC.

OPERATING TEMPERATURE RANGE: -40°C to 125°C including temp. rise.

Wire insulation & RoHS status not affected by wire color. Wire insulation color may vary depending on availability.

Würth Electronics Midcom Inc. Watertown, SD USA Toll Free: 800-643-2661 Fax: 605-886-4486	Unless otherwise specified, tolerances are as follows: Angles: ±1° Fractions: ±1/64 Decimals: ±.005(.127mm)		more than you expect	
	Drawing Title <h1 style="margin: 0;">Transformer</h1>		Drawing Number <h2 style="margin: 0;">7508131510</h2>	Rev. <h2 style="margin: 0;">01</h2>
This drawing is dual dimensioned. Dimensions in brackets are in millimeters		Revisions: See Sheet 1		Scale ---- Spec Sheet 1 of 1
Engineer: LJG			11/05/2012	