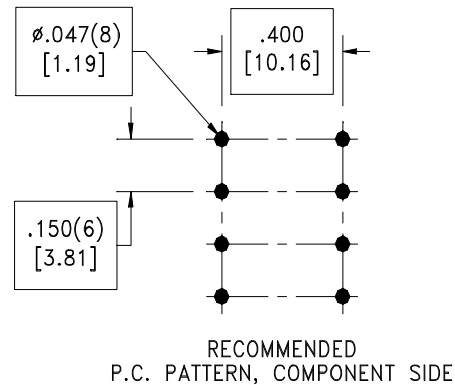
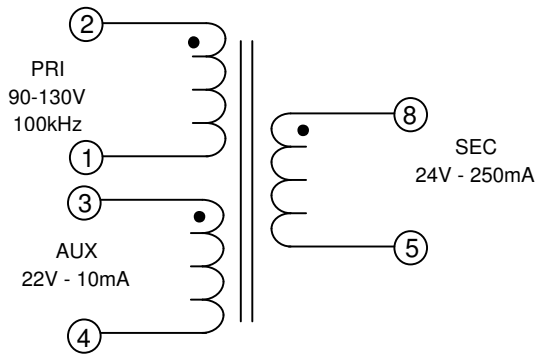
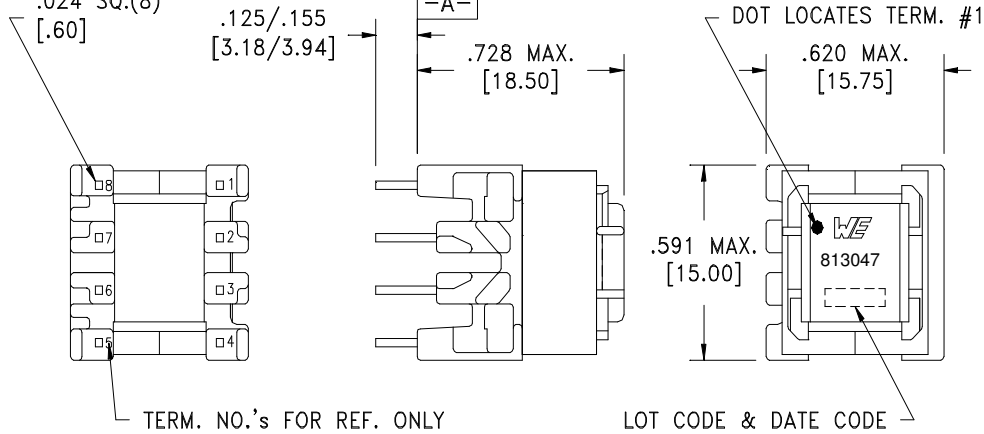


CUSTOMER TERMINAL	RoHS	LEAD(Pb)-FREE
Sn96%, Ag4%	Yes	Yes



PART MUST INSERT FULLY TO SURFACE A IN RECOMMENDED GRID
 .024 SQ.(8)
 [.60]



ELECTRICAL SPECIFICATIONS @ 25°C unless otherwise noted:

D.C. RESISTANCE (@20°C):	1-2 , 4.50 Ohms ±10%. 3-4 , 1.65 Ohms ±10%. 5-8 , 0.275 Ohms max.
DIELECTRIC RATING:	4500VAC, 1 minute tested by applying 4500VAC for 1 second between pins 2-8(tie1+3). 1000VAC, 1 minute tested by applying 1250VAC for 1 second between pins 2-3.
INDUCTANCE:	2.70 mH ±10%, 10kHz, 100mVAC, 0mADC, 1-2, Ls.
SATURATION CURRENT:	330mA saturating current that causes 20% rolloff from initial inductance.
LEAKAGE INDUCTANCE:	16.0µH typ., 30.0µH max., 100kHz, 100mVAC, 1-2(tie 3+4,5+8), Ls.
URNS RATIO:	(2-1):(8-5), (6):(1.00), ±1%. (2-1):(3-4), (6.55):(1.00), ±1%.

Designed to comply with the following requirements as defined by IEC61558-2-17:

- Reinforced insulation for a primary circuit at a working voltage of 400VDC.

OPERATING TEMPERATURE RANGE: -40 TO 125°C including temperature rise.

Wire insulation & RoHS status not affected by wire color. Wire insulation color may vary depending on availability.

WE-Midcom, Inc. Watertown, SD USA Toll Free: 800-643-2661 Fax: 605-886-4486	Unless otherwise specified, tolerances are as follows: Angles: ±1° Fractions: ±1/64 Decimals: ±.005(.127mm)		WE-Midcom, Inc.	
	Drawing Title Transformer		Drawing Number 750813047	Rev. 00
Revisions: See Sheet 1		Scale ----	Sheet 2 of 5	
Engineer:PLP		08/05/2011		

This drawing is dual dimensioned.
 Dimensions in brackets are in millimeters