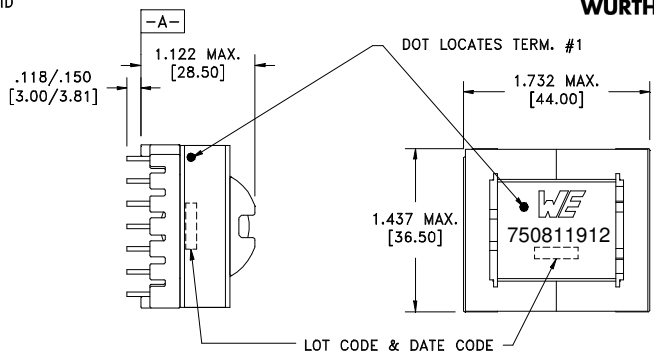
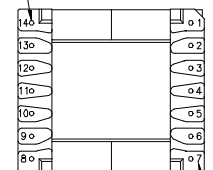


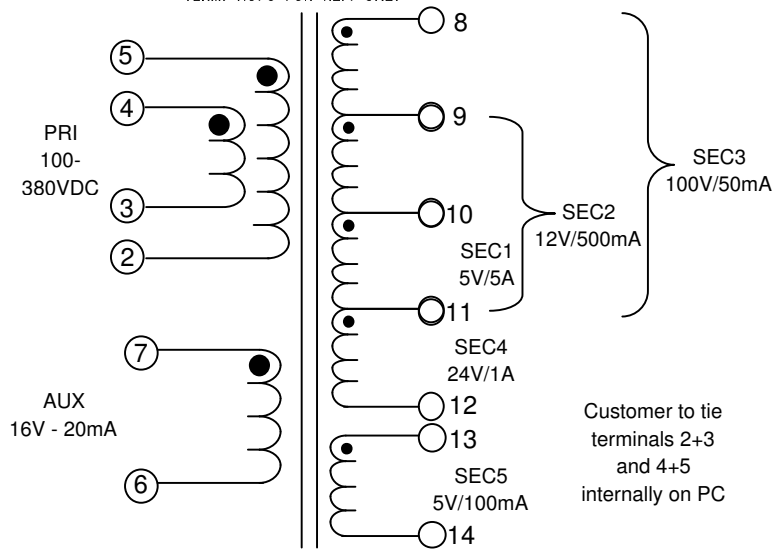
CUSTOMER TERMINAL	RoHS	LEAD(Pb)-FREE
Sn96%, Ag4%	Yes	Yes



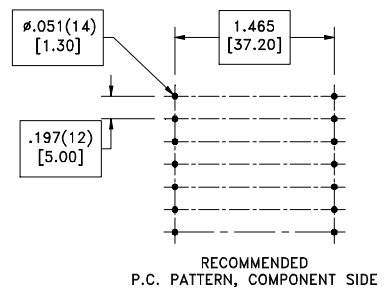
PART MUST INSERT FULLY TO SURFACE A IN RECOMMENDED GRID
 Ø.039(14)
 [1.00]



TERM. NO.'s FOR REF. ONLY



Customer to tie terminals 2+3 and 4+5 internally on PC



ELECTRICAL SPECIFICATIONS @ 25°C unless otherwise noted:

D.C. RESISTANCE (@20°C):	2-5, 0.328 Ohms ±10%.	3-4, 0.123 Ohms ±10%.
	6-7, 0.229 Ohms ±10%.	8-11, 0.939 Ohms ±18.43%.
	9-11, 0.040 Ohms max.	10-11, 0.020 Ohms max.
	11-12, 0.040 Ohms max.	13-14, 0.080 Ohms ±20%.
DIELECTRIC RATING:	3000VAC, 1 minute tested by applying 3750VAC for 1 second between pins 2-14 (tie 2+3+6, 12+13)	
	500VAC, 1 minute tested by applying 625VAC for 1 second between pins 2-7.	
INDUCTANCE:	100µH ±10%, 10kHz, 100mVAC, 0mADC, 2-5(2+3, 4+5), Ls.	
SATURATION CURRENT:	Greater than 10A saturating current that causes 20% rolloff from initial inductance.	
LEAKAGE INDUCTANCE:	1.5µH typ. 3.0µH max, 100kHz, 100mVAC, 2-5(2+3, 4+5, 6+7, 8+9+10+11+12+13+14), Ls.	
TURNS RATIO:	(4-3):(5-2), (1):(1.00), ±1%.	
	(4-3):(8-11), (1.11):(1.00), ±1%.	
	(4-3):(9-11), (8):(1.00), ±1%.	
	(4-3):(10-11), (20):(1.00), ±1%.	
	(4-3):(11-12), (4.44):(1.00), ±1%.	
	(4-3):(13-14), (20):(1.00), ±1%.	
	(4-3):(7-6), (6.67):(1.00), ±1%.	

Designed to comply with the following requirements as defined by IEC60950-1, EN60950-1, UL60950-1/CSA60950-1 and AS/NZS60950.1:
 - Reinforced insulation for a primary circuit at a working voltage of 400VDC.

OPERATING TEMPERATURE RANGE: -40°C to 125°C including temp. rise.
 Wire insulation & RoHS status not affected by wire color. Wire insulation color may vary depending on availability.

WE-Midcom, Inc. Watertown, SD USA Toll Free: 800-643-2661 Fax: 605-886-4486	Unless otherwise specified, tolerances are as follows: Angles: ±1° Fractions: ±1/64 Decimals: ±.005 (.127mm)		WE-Midcom, Inc.	
	Drawing Title <h1>Transformer</h1>		Drawing Number <h2>750811912</h2>	Rev. 02
Revisions: See Sheet 1		Scale ----	Sheet 2 of 5	
Engineer: LJJ			10/04/2011	

This drawing is dual dimensioned.
 Dimensions in brackets are in millimeters