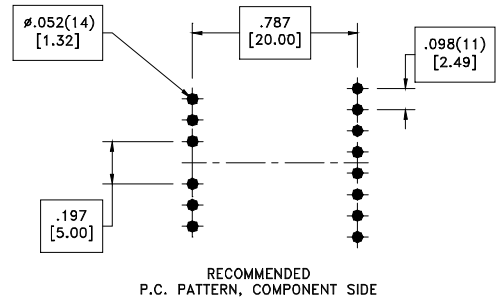
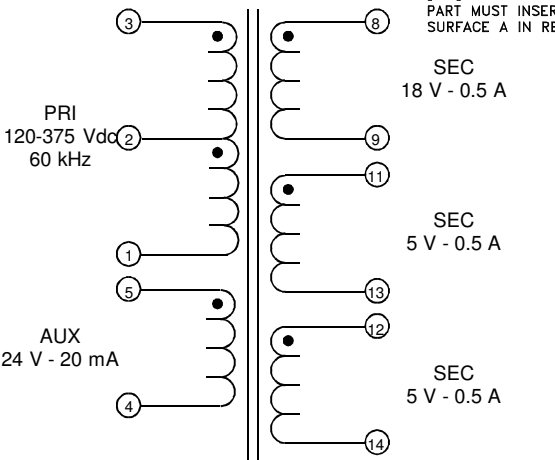
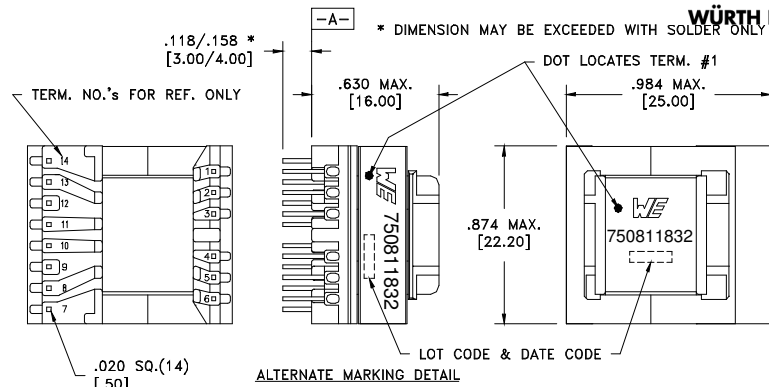


CUSTOMER TERMINAL	RoHS	LEAD(Pb)-FREE
Sn96%, Ag4%	Yes	Yes



**ELECTRICAL SPECIFICATIONS @ 25°C unless otherwise noted:**

- D.C. RESISTANCE (@20°C):**  
 3-1 , 3.080 Ohms ±10%.  
 5-4 , 1.770 Ohms ±10%.  
 8-9 , 0.093 Ohms ±15%.  
 11-13 , 0.027 Ohms ±20%.  
 12-14 , 0.028 Ohms ±20%.
- DIELECTRIC RATING:**  
 4300VAC, 1 minute tested by applying 4300VAC for 1 second between pins 1-14 (3+4, 9+11+12).  
 625VAC for 1 second between pins 1-5.  
 625VAC for 1 second between pins 8-13.  
 625VAC for 1 second between pins 11-14.
- INDUCTANCE:**  
 1.00 mH ±10%, 10KHz, 100mVAC, 0mADC, 3-1, Ls.
- SATURATION CURRENT:**  
 1.25A saturating current that causes 20% rolloff from initial inductance.
- LEAKAGE INDUCTANCE:**  
 20.0µH typ., 40.0µH max., 100KHz, 100mVAC, 3-1(4+5,8 thru 14), Ls.
- TURNS RATIO:**  
 ( 2-1 ):( 3-2 ) , ( 1 ):(1.00) , ±1%.  
 ( 3-1 ):( 5-4 ) , ( 4.5 ):(1.00) , ±1%.  
 ( 3-1 ):( 8-9 ) , ( 6 ):(1.00) , ±1%.  
 ( 3-1 ):( 11-13 ) , ( 21.6 ):(1.00) , ±1%.  
 ( 3-1 ):( 12-14 ) , ( 21.6 ):(1.00) , ±1%.

Designed to comply with the following requirements as defined by IEC61558-2-16:  
 - Reinforced insulation for a primary circuit at a working voltage of 305Vrms.

**OPERATING TEMPERATURE RANGE:** -40°C to 125°C including temp. rise.

Wire insulation & RoHS status not affected by wire color. Wire insulation color may vary depending on availability. PC1\_0\_5643

<b>Würth Electronics Midcom Inc.</b> Watertown, SD USA Toll Free: 800-643-2661 Fax: 605-886-4486	Unless otherwise specified, tolerances are as follows: Angles: ±1°      Fractions: ±1/64 Decimals: ±.005(.127mm)      Footprint: ±.001(.03mm)		<b>more than you expect</b>	
	Drawing Title <h1 style="margin: 0;">Transformer</h1>		Drawing Number <h2 style="margin: 0;">750811832</h2>	Rev. <h2 style="margin: 0;">00</h2>
This drawing is dual dimensioned. Dimensions in brackets are in millimeters	Revisions: See Sheet 1		Scale ----	Spec Sheet 1 of 1