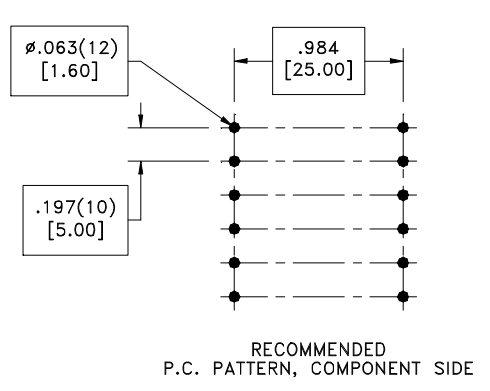
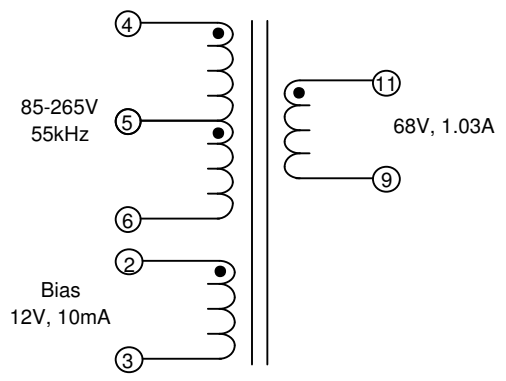
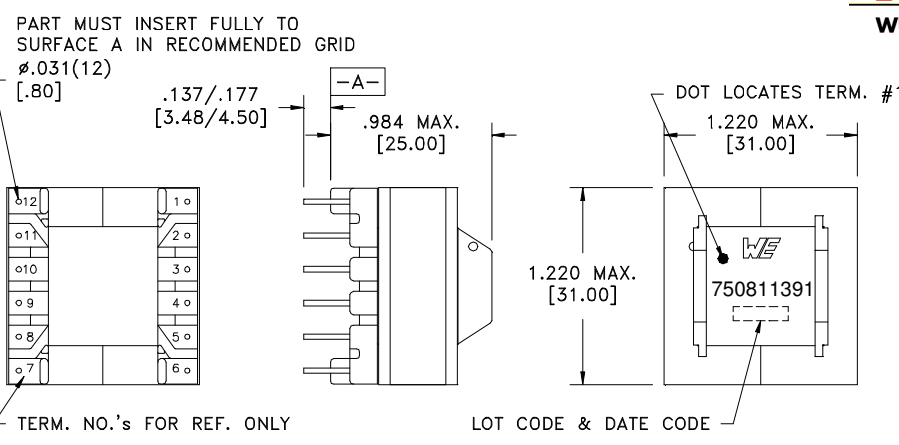


CUSTOMER TERMINAL	RoHS	LEAD(Pb)-FREE
Sn96%, Ag4%	Yes	Yes



**ELECTRICAL SPECIFICATIONS @ 25°C unless otherwise noted:**

D.C. RESISTANCE (@20°C):	4-6 , 0.170 Ohms $\pm 10\%$ . 2-3 , 0.030 Ohms $\pm 20\%$ . 11-9 , 0.195 Ohms $\pm 10\%$ .
DIELECTRIC RATING:	4500VAC, 1 minute tested by applying 4500VAC for 1 second between pins 4-11(4+2). 500VAC, 1 minute tested by applying 625VAC for 1 second between pins 4-2.
INDUCTANCE:	220.0 $\mu$ H $\pm 10\%$ , 60kHz, 100mVAC, 0mADC, 4-6, Ls.
LEAKAGE INDUCTANCE:	7.5 $\mu$ H typ, 9.5 $\mu$ H max., 100kHz, 100mVAC, 4-6(2+3,11+9), Ls.
SATURATION CURRENT:	6.1A saturating current that causes 20% rolloff from initial inductance.
URNS RATIO:	(4-6):(11-9), (1.30):(1.00), $\pm 1\%$ . (4-6):(2-3), (7.33):(1.00), $\pm 1\%$ .

OPERATING TEMPERATURE RANGE: -40°C to 125°C including temp. rise.

Designed to comply with the following requirements as defined by IEC61558-2-17:  
 - Reinforced insulation for a primary circuit at a working voltage of 400VDC.

WE-Midcom, Inc. Watertown, SD USA Toll Free: 800-643-2661 Fax: 605-886-4486	Unless otherwise specified, tolerances are as follows: Angles: $\pm 1^\circ$ Fractions: $\pm 1/64$ Decimals: $\pm .005(.127\text{mm})$		WE-Midcom, Inc.	
	Drawing Title <b>Transformer</b>		Drawing Number <b>750811391</b>	Rev. 01
This drawing is dual dimensioned. Dimensions in brackets are in millimeters		Revisions: See Sheet 1	Scale ----	Sheet 2 of 5
Engineer:TST			11/08/2010	