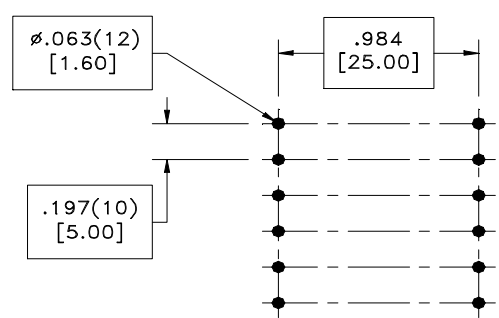
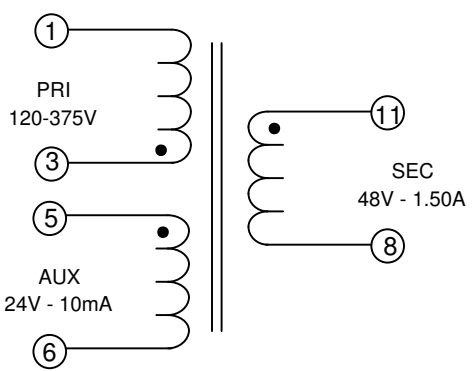
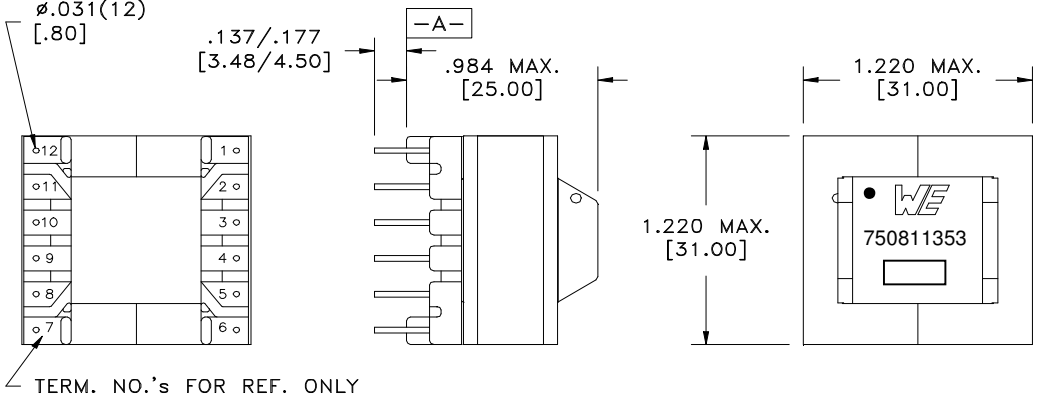


CUSTOMER TERMINAL	RoHS	LEAD(Pb)-FREE
Sn96%, Ag4%	Yes	Yes



PART MUST INSERT FULLY TO SURFACE A IN RECOMMENDED GRID



RECOMMENDED P.C. PATTERN, COMPONENT SIDE

ELECTRICAL SPECIFICATIONS @ 25°C unless otherwise noted:

D.C. RESISTANCE (@20°C):	1-3 , 0.24 Ohms $\pm 10\%$. 5-6 , 0.150 Ohms max. 8-11 , 0.050 Ohms max.
DIELECTRIC RATING:	4500VAC, 1 minute tested by applying 4500VAC for 1 second between pins 3-11(1+5). 1000VAC, 1 minute tested by applying 1250VAC for 1 second between pins 3-5.
INDUCTANCE:	280 μ H $\pm 10\%$, 10kHz, 100mVAC, 0mADC, 1-3, Ls.
SATURATION CURRENT:	4.5A saturating current that causes 20% rolloff from initial inductance.
LEAKAGE INDUCTANCE:	2.1 μ H typ., 4.0 μ H max., 100kHz, 100mVAC, 1-3(5+6,8+11), Ls.
URNS RATIO:	(3-1):(11-8), (3):(1.00), $\pm 1\%$. (3-1):(5-6), (6):(1.00), $\pm 1\%$. (3-2):(2-1), (1):(1.00), $\pm 1\%$.

Designed to comply with the following requirements as defined by IEC61558-2-17:
 - Reinforced insulation for a primary circuit at a working voltage of 400VDC.

Wire insulation & RoHS status not affected by wire color. Wire insulation color may vary depending on availability.

WE-Midcom, Inc. Watertown, SD USA Toll Free: 800-643-2661 Fax: 605-886-4486	Unless otherwise specified, tolerances are as follows: Angles: $\pm 1^\circ$ Fractions: $\pm 1/64$ Decimals: $\pm .005(.127\text{mm})$		WE-Midcom, Inc.	
	Drawing Title <h1>Transformer</h1>		Drawing Number <h2>750811353</h2>	Rev. 01
This drawing is dual dimensioned. Dimensions in brackets are in millimeters	Revisions: See Sheet 1		Scale ----	Sheet 2 of 5
Engineer:PLP			07/26/2011	