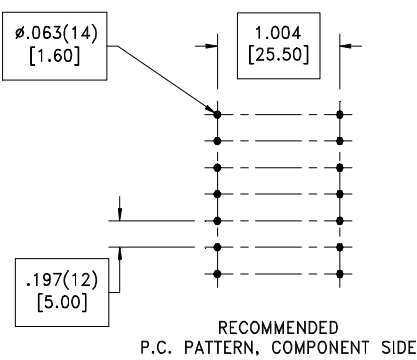
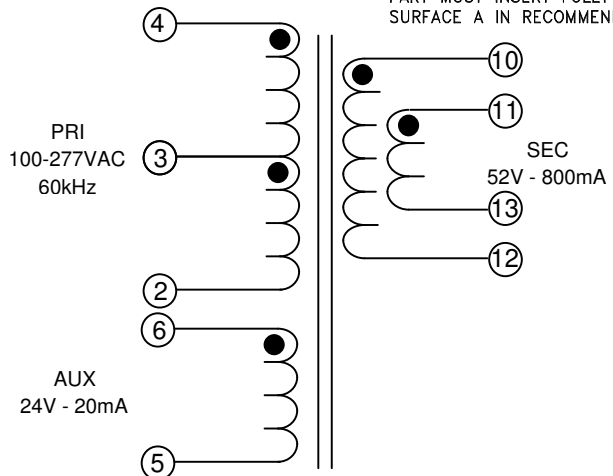
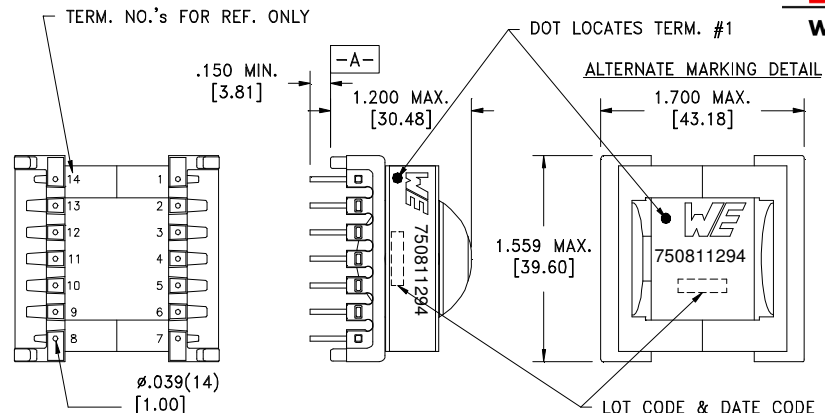


CUSTOMER TERMINAL	RoHS	LEAD(Pb)-FREE
Sn96%, Ag4%	Yes	Yes



PART MUST INSERT FULLY TO SURFACE A IN RECOMMENDED GRID

**ELECTRICAL SPECIFICATIONS @ 25°C unless otherwise noted:**

- D.C. RESISTANCE (@20°C):
- 2-4 , 0.090 Ohms ±20%.
  - 5-6 , 0.030 Ohms ±20%.
  - 10-12 , 0.078 Ohms ±20%.
  - 11-13 , 0.093 Ohms ±20%.
- DIELECTRIC RATING:
- 4000VAC, 1 minute tested by applying 4000VAC for 1 second between pins 2-13(tie 4+5, 10+11).
  - 500VAC, 1 minute tested by applying 625VAC for 1 second between pins 2-6.
- INDUCTANCE:
- 270µH ±10%, 10kHz, 100mVAC, 0mADC, 2-4, Ls.
- SATURATION CURRENT:
- 4.6A saturating current that causes 20% rolloff from initial inductance.
- LEAKAGE INDUCTANCE:
- 1.5µH typ, 3.0µH max., 100kHz, 100mVAC, 2-4(tie 5+6, 10+11+12+13), Ls.
- TURNS RATIO:
- ( 4-3 ):( 3-2 ), ( 1 ):(1.00), ±1%.
  - ( 4-2 ):( 6-5 ), ( 4.25 ):(1.00), ±1%.
  - ( 4-2 ):( 10-12 ), ( 2 ):(1.00), ±1%.
  - ( 4-2 ):( 11-13 ), ( 2 ):(1.00), ±1%.

Designed to comply with the following requirements as defined by IEC61558-2-16:

- Reinforced insulation for a primary circuit at a working voltage of 400VDC.

OPERATING TEMPERATURE RANGE: -40°C to 125°C including temp. rise.

Wire insulation & RoHS status not affected by wire color. Wire insulation color may vary depending on availability.

<b>WE-Midcom, Inc.</b> Watertown, SD USA Toll Free: 800-643-2661 Fax: 605-886-4486	Unless otherwise specified, tolerances are as follows: Angles: ±1°      Fractions: ±1/64 Decimals: ±.005(.127mm)		<b>WE-Midcom, Inc.</b>	
	Drawing Title <h1>Transformer</h1>		Drawing Number <h2>750811294</h2>	Rev. 00
This drawing is dual dimensioned. Dimensions in brackets are in millimeters	Revisions: See Sheet 1		Scale ----	Spec Sheet 1 of 1
Engineer:LJG			03/20/2012	