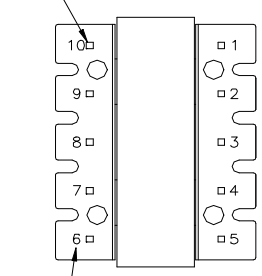


CUSTOMER TERMINAL	RoHS	LEAD(Pb)-FREE
Sn96%, Ag4%	Yes	Yes

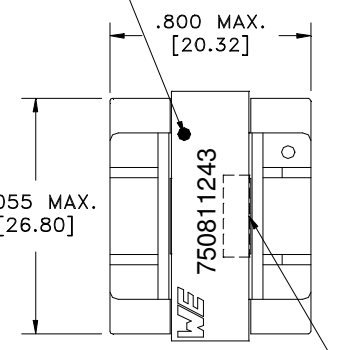
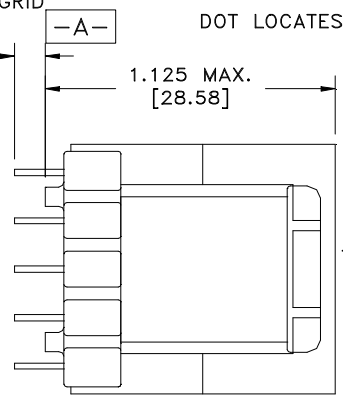


PART MUST INSERT FULLY TO SURFACE A IN RECOMMENDED GRID
 .025 SQ.(10) [.64]
 .100 MIN. [2.54]

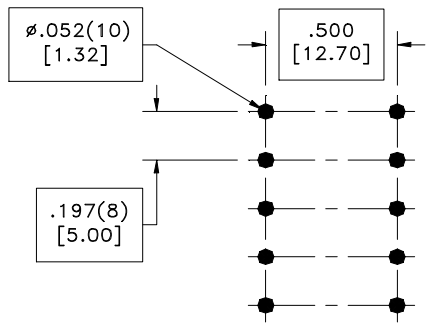
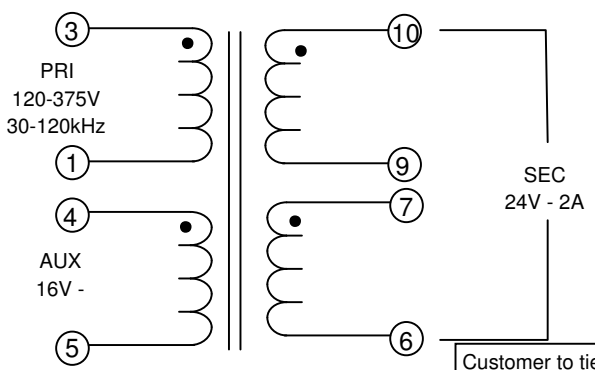
DOT LOCATES TERM. #1



TERM NO.'s FOR REF. ONLY



LOT CODE & DATE CODE



RECOMMENDED P.C. PATTERN, COMPONENT SIDE

ELECTRICAL SPECIFICATIONS @ 25°C unless otherwise noted:

- D.C. RESISTANCE (@20°C):
 1-3 , 0.200 Ohms ±20%.
 4-5 , 0.135 Ohms ±20%.
 6-9 , 0.015 Ohms max.
 7-10 , 0.015 Ohms max.
- DIELECTRIC RATING:
 4500VAC, 1 minute tested by applying 4500VAC for 1 second between pins 3-10(1+4,7+9).
 1000VAC, 1 minute tested by applying 1250VAC for 1 second between pins 3-4.
- INDUCTANCE:
 110µH ±10%, 10kHz, 100mVAC, 0mADC, 1-3, Ls.
- SATURATION CURRENT:
 8.90A saturating current that causes 20% rolloff from initial inductance.
- LEAKAGE INDUCTANCE:
 3.0µH typ., 6.0µH max., 100kHz, 100mVAC, 1-3(4+5,6+7+9+10), Ls.
- URNS RATIO:
 (3-1):(10-9) , (10):(1.00) , ±1%.
 (3-1):(7-6) , (10):(1.00) , ±1%.
 (3-1):(4-5) , (7.142):(1.00) , ±1%.

Designed to comply with the following requirements as defined by IEC60950-1, EN60950-1, UL60950-1/CSA60950-1 and AS/NZS60950.1:
 - Reinforced insulation for a primary circuit at a working voltage of 400VDC.

Wire insulation & RoHS status not affected by wire color. Wire insulation color may vary depending on availability.

WE-Midcom, Inc. Watertown, SD USA Toll Free: 800-643-2661 Fax: 605-886-4486	Unless otherwise specified, tolerances are as follows: Angles: ±1° Fractions: ±1/64 Decimals: ±.005 (.127mm)		WE-Midcom, Inc.	
	Drawing Title <h1>Transformer</h1>		Drawing Number <h2>750811243</h2>	Rev. 02
This drawing is dual dimensioned. Dimensions in brackets are in millimeters	Revisions: See Sheet 1		Scale ----	Sheet 2 of 5
Engineer:PLP			02/23/2011	