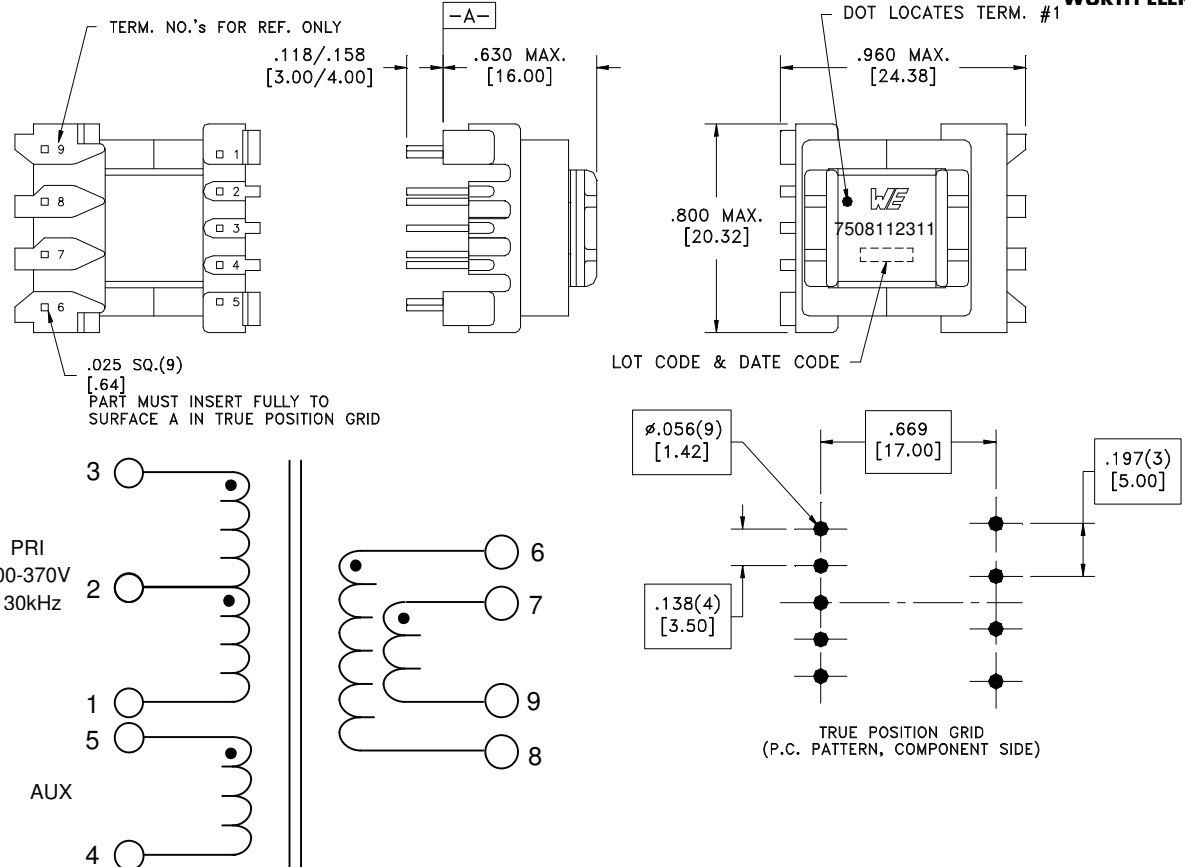


|                   |      |               |
|-------------------|------|---------------|
| CUSTOMER TERMINAL | RoHS | LEAD(Pb)-FREE |
| Sn96%, Ag4%       | Yes  | Yes           |



**ELECTRICAL SPECIFICATIONS @ 25°C unless otherwise noted:**

|                          |  |
|--------------------------|--|
| D.C. RESISTANCE (@20°C): | 1-3 , 0.650 Ohms $\pm 10\%$ .<br>4-5 , 0.220 Ohms $\pm 10\%$ .                                     |
| DIELECTRIC RATING:       | 3000VAC, 1 minute tested by applying 3750VAC for 1 second between pins 1-9 (6+7, 8+9).             |
| DIELECTRIC RATING:       | 500VAC, 1 minute tested by applying 625VAC for 1 second between pins 3-4.                          |
| INDUCTANCE:              | 270 $\mu$ H $\pm 10\%$ , 10KHz, 100mVAC, 0mADC, 1-3, Ls.   |
| SATURATION CURRENT:      | 1.7A saturating current that causes 20% rolloff from initial inductance.                           |
| LEAKAGE INDUCTANCE:      | 10.0 $\mu$ H typ, 15 $\mu$ H max., 100KHz, 100mVAC, 1-3(4+5+6+7+8+9), Ls.                          |
| URNS RATIO:              | ( 1-3 ):( 6,7-8,9 ) , ( 20 ):(1.00) , $\pm 1\%$ .<br>( 1-3 ):( 5-4 ) , ( 15 ):(1.00) , $\pm 1\%$ . |

Designed to comply with the following requirements as defined by IEC60950-1, EN60950-1, UL60950-1/CSA60950-1 and AS/NZS60950.1:  
- Reinforced insulation for a primary circuit at a working voltage of 400VDC.

OPERATING TEMPERATURE RANGE: -40°C to 125°C including temp. rise.

|  |  |  |                                     |                   |
|--|--|--|-------------------------------------|-------------------|
| WE-Midcom, Inc.<br>Watertown, SD USA<br>Toll Free: 800-643-2661<br>Fax: 605-886-4486 | Unless otherwise specified, tolerances are as follows:<br>Angles: $\pm 1^\circ$ Fractions: $\pm 1/64$<br>Decimals: $\pm .005$ (.127mm) |  | WE-Midcom, Inc.                     |                   |
|  | Drawing Title<br><b>Transformer</b>  |  | Drawing Number<br><b>7508112311</b> | Rev.<br><b>00</b> |
| This drawing is dual dimensioned.<br>Dimensions in brackets are in millimeters       | Revisions: See Sheet 1   |  | Scale ----                          | Spec Sheet 1 of 1 |
| Engineer:LJG   |  |  | 05/09/2013                          |                   |