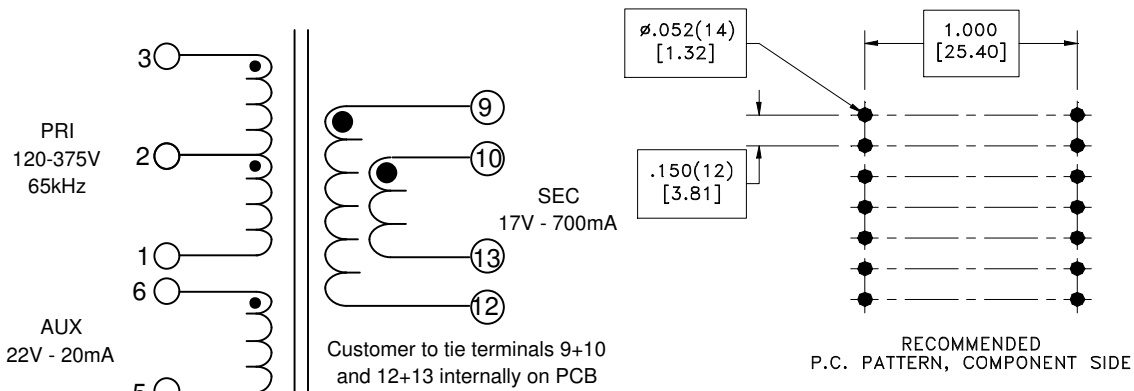
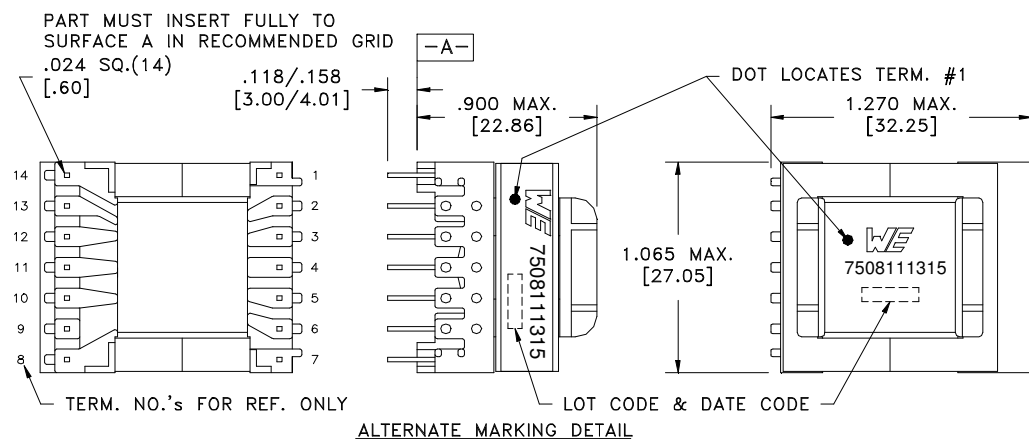


CUSTOMER TERMINAL	RoHS	LEAD(Pb)-FREE
Sn96%, Ag4%	Yes	Yes



**ELECTRICAL SPECIFICATIONS @ 25°C unless otherwise noted:**

D.C. RESISTANCE (@20°C):	1-3 , 1.40 Ohms ±10%. 5-6 , 0.115 Ohms ±10%. 9-12 , 0.035 Ohms max. 10-13 , 0.035 Ohms max.
DIELECTRIC RATING:	4500VAC, 1 minute tested by applying 4500VAC for 1 second between pins 1-12(tie 3+5, 9+10). 500VAC, 1 minute tested by applying 625VAC for 1 second between pins 1-6.
INDUCTANCE:	3.80 mH ±10%, 10kHz, 100mVAC, 0mADC, 1-3, Ls.
SATURATION CURRENT:	510mA saturating current that causes 20% rolloff from initial inductance.
LEAKAGE INDUCTANCE:	30µH typ, 60µH max, 100kHz, 100mVAC, 1-3(tie 5+6, 9+10+12+13), Ls.
URNS RATIO:	( 3-2 ):( 2-1 ) , ( 1 ):(1.00) , ±1%. ( 3-1 ):( 6-5 ) , ( 15 ):(1.00) , ±1%. ( 3-1 ):( 9-12 ) , ( 20 ):(1.00) , ±1%. ( 3-1 ):( 10-13 ) , ( 20 ):(1.00) , ±1%.

Designed to comply with the following requirements as defined by IEC61558-2-16:  
- Reinforced insulation for a primary circuit at a working voltage of 400VDC.

OPERATING TEMPERATURE RANGE: -40°C to 125°C including temp. rise.

Wire insulation & RoHS status not affected by wire color. Wire insulation color may vary depending on availability.

<b>Würth Electronics Midcom Inc.</b>  Watertown, SD USA Toll Free: 800-643-2661 Fax: 605-886-4486	Unless otherwise specified, tolerances are as follows: Angles: ±1°      Fractions: ±1/64 Decimals: ±.005 (.127mm)		<b>more than you expect</b>	
	Drawing Title <h1>Transformer</h1>		Drawing Number <h1>7508111315</h1>	Rev. <h1>01</h1>
This drawing is dual dimensioned. Dimensions in brackets are in millimeters		Revisions: See Sheet 1		Scale ----    Spec Sheet 1 of 1
Engineer: LJG			10/18/2012	