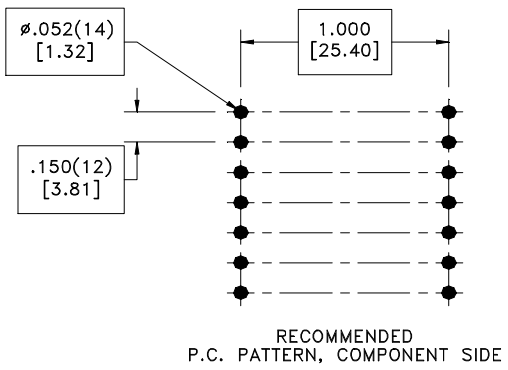
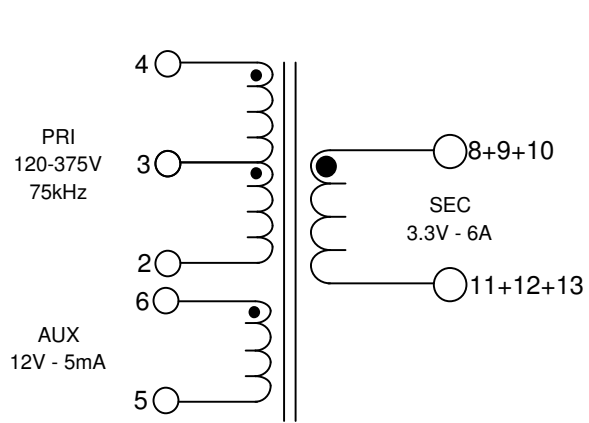
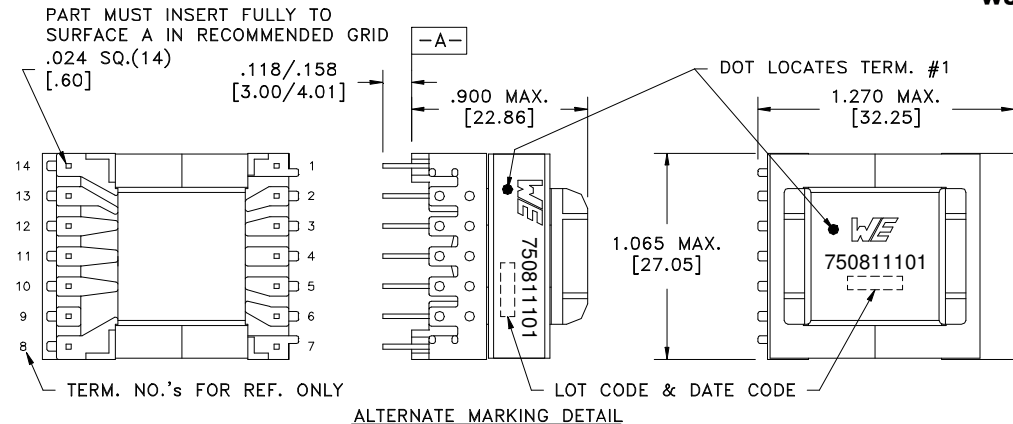


CUSTOMER TERMINAL	RoHS	LEAD(Pb)-FREE
Sn96%, Ag4%	Yes	Yes



ELECTRICAL SPECIFICATIONS @ 25°C unless otherwise noted:

D.C. RESISTANCE (@20°C):	2-4 , 0.535 Ohms ±10%. 5-6 , 0.185 Ohms ±10%. 8-13 (8+9+10, 11+12+13), 0.005 Ohms max.
DIELECTRIC RATING:	4000VAC, 1 minute tested by applying 4000VAC for 1 second between pins 2-13(tie 4+5). 500VAC, 1 minute tested by applying 625VAC for 1 second between pins 2-6.
INDUCTANCE:	500µH ±10%, 10kHz, 100mVAC, 0mADC, 2-4, Ls.
SATURATION CURRENT:	2.25A saturating current that causes 20% rolloff from initial inductance.
LEAKAGE INDUCTANCE:	6.5µH typ, 12µH max, 100kHz, 100mVAC, 2-4(tie 5+6, 8+9+10+11+12+13), Ls.
URNS RATIO:	(4-3):(3-2), (1):(1.00), ±1%. (4-2):(6-5), (3.33):(1.00), ±1%. (4-2):(8-13), (20):(1.00), ±1%.

Designed to comply with the following requirements as defined by IEC61558-2-16:

- Reinforced insulation for a primary circuit at a working voltage of 400VDC.

OPERATING TEMPERATURE RANGE: -40°C to 125°C including temp. rise.

Wire insulation & RoHS status not affected by wire color. Wire insulation color may vary depending on availability.

WE-Midcom, Inc. Watertown, SD USA Toll Free: 800-643-2661 Fax: 605-886-4486	Unless otherwise specified, tolerances are as follows: Angles: ±1° Fractions: ±1/64 Decimals: ±.005(.127mm)		WE-Midcom, Inc.	
	Drawing Title Transformer		Drawing Number 750811101	Rev. 00
Revisions: See Sheet 1		Scale ----	Spec Sheet 1 of 1	
Engineer:LJG			09/05/2012	

This drawing is dual dimensioned.
Dimensions in brackets are in millimeters