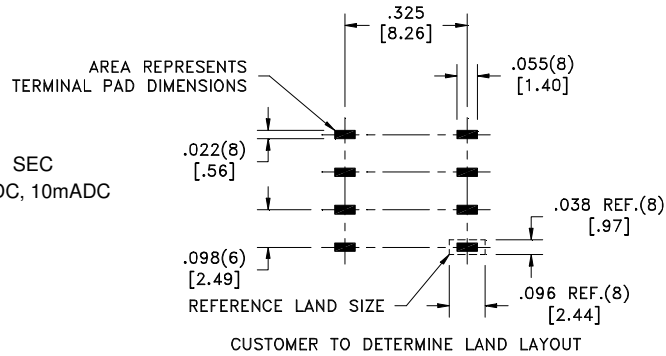
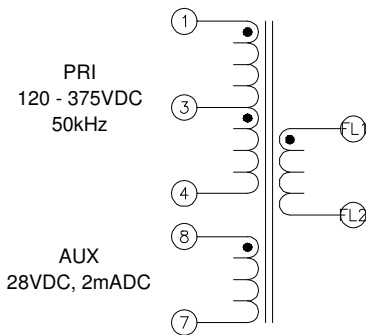
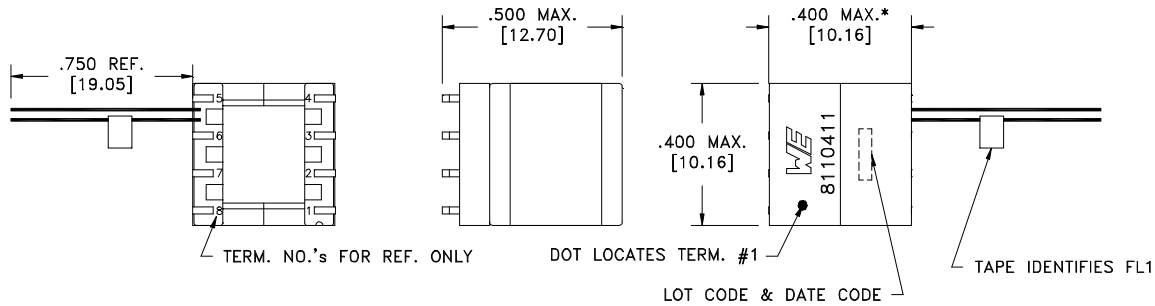


CUSTOMER TERMINAL	RoHS	LEAD(Pb)-FREE
Sn96%, Ag4%	Yes	Yes



* DIMENSION MAY BE EXCEEDED WITH SOLDER ONLY



ELECTRICAL SPECIFICATIONS @ 25°C unless otherwise noted:

D.C. RESISTANCE (@20°C): 1-4 , 4.50 Ohms $\pm 20\%$.
8-7 , 2.40 Ohms $\pm 20\%$.
FL1-FL2 , 0.320 Ohms $\pm 20\%$.

DIELECTRIC RATING: 4500VAC, 1 minute tested by applying 4500VAC for 1 second between pins 1-FL1(tie 4+8).

INDUCTANCE: 900 μ H $\pm 10\%$, 50kHz, 100mVAC, 0mADC, 1-4, Ls.

SATURATION CURRENT: >400mADC saturating current that causes 20% rolloff from initial inductance.

LEAKAGE INDUCTANCE: 10 μ H max., 100kHz, 100mVAC, 1-4(tie 7+8, FL1+FL2), Ls.

TURNS RATIO: (1-4):(8-7), (2.12):(1.00), $\pm 2\%$.
(1-4):(FL1-FL2), (3):(1.00), $\pm 2\%$.

OPERATING TEMPERATURE RANGE: -40°C to +125°C including temp rise.

Designed to comply with the following requirements as defined by IEC61558-2-17:
- Reinforced insulation for a primary circuit at a working voltage of 400VDC.

Wire insulation & RoHS status not affected by wire color. Wire insulation color may vary depending on availability.

WE-Midcom, Inc. Watertown, SD USA Toll Free: 800-643-2661 Fax: 605-886-4486	Unless otherwise specified, tolerances are as follows: Angles: $\pm 1^\circ$ Fractions: $\pm 1/64$ Decimals: $\pm .005$ (.127mm)		WE-Midcom, Inc.	
	Drawing Title Transformer		Drawing Number 7508110411	Rev. 00
This drawing is dual dimensioned. Dimensions in brackets are in millimeters		Revisions: See Sheet 1		Scale ---- Sheet 2 of 5
Engineer:EJK			01/06/2011	