

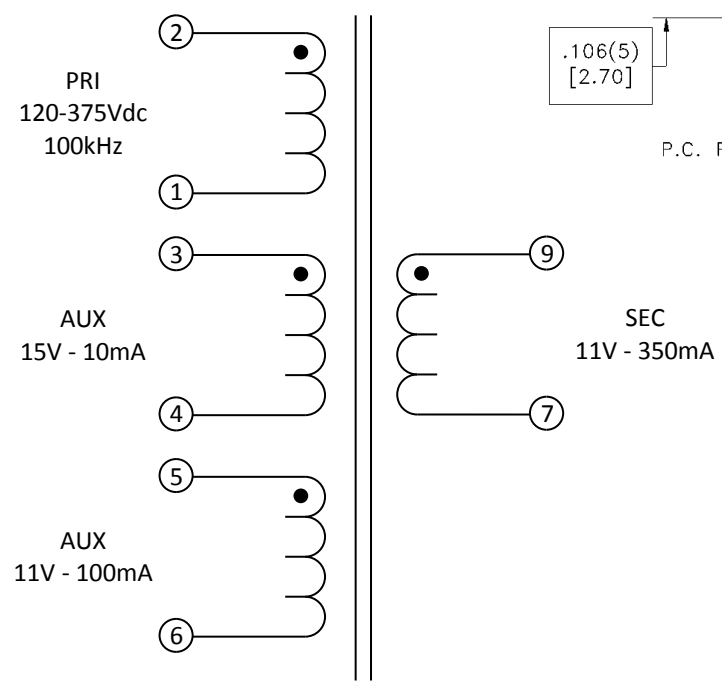
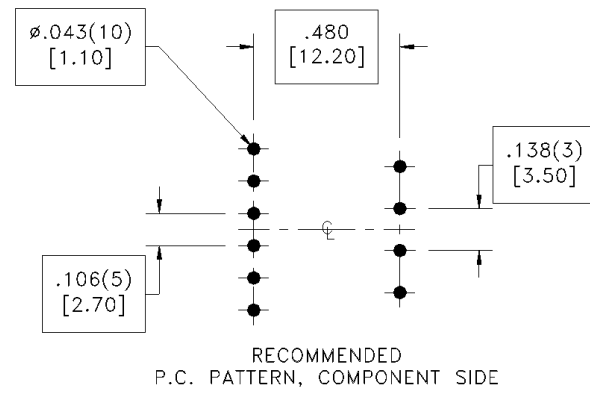
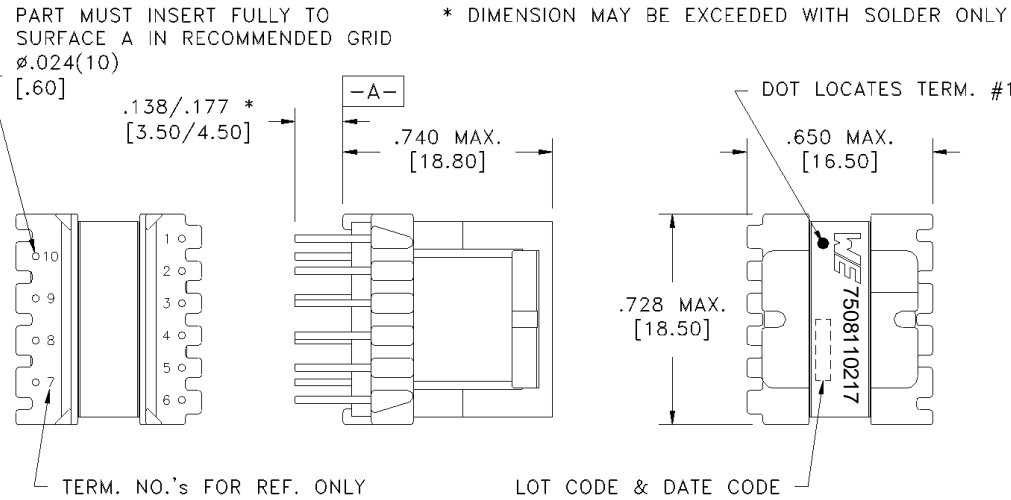
CUSTOMER TERMINAL	RoHS	LEAD(Pb)--FREE
Sn 96%, Ag 4%	Yes	Yes

more than you expect



ELECTRICAL SPECIFICATIONS @ 25° C unless otherwise noted:

PARAMETER	TEST CONDITIONS	VALUE
D.C. RESISTANCE	1-2 @20°C	4.200 ohms ±10%
D.C. RESISTANCE	3-4 @20°C	0.710 ohms ±10%
D.C. RESISTANCE	5-6 @20°C	0.360 ohms ±10%
D.C. RESISTANCE	7-9 @20°C	0.075 ohms ±10%
INDUCTANCE	1-2 10kHz, 100mV, Ls	2.00mH ±10%
SATURATION CURRENT	1-2 20% rolloff from initial	400mA
LEAKAGE INDUCTANCE	1-2 tie(3+4+5+6,7+9), 100kHz, 100mV, Ls	20µH typ., 35µH max.
DIELECTRIC	2-9 tie(1+3,4+5), 4500VAC, 1 second	4500VAC, 1 minute
DIELECTRIC	625VAC, 1 second	
URNS RATIO	(2-1):(9-7)	9:1, ±1%
URNS RATIO	(2-1):(3-4)	6.63:1, ±1%
URNS RATIO	(2-1):(5-6)	9:1, ±1%



GENERAL SPECIFICATIONS:

OPERATING TEMPERATURE RANGE: -40°C to +125°C including temp rise.

Designed to comply with the following requirements as defined by IEC61558-2-16, and EN61558-2-16:

- Reinforced insulation for a primary circuit at a working voltage of 265Vrms, 400Vpeak (operating frequency of <2MHz).

REFERENCE DESIGN

Wire insulation & RoHS status not affected by wire color. Wire insulation color may vary depending on availability.

DFM	SP	Packaging Specifications Method: Tray PKG-0967	 CONVENTION PLACEMENT Tolerances unless otherwise specified: Angles: $\pm 1^\circ$ Decimals: $\pm .005$ [.13] Fractions: $\pm 1/64$ Footprint: $\pm .001$ [.03] This drawing is dual dimensioned. Dimensions in brackets are in millimeters.	DRAWING TITLE TRANSFORMER	PART NO. 7508110217
DATE	2/1/2016				
ENG	PLP				
REV.	00				
DATE	5/24/2017				
www.we-online.com/midcom			SPECIFICATION SHEET 1 OF 1		