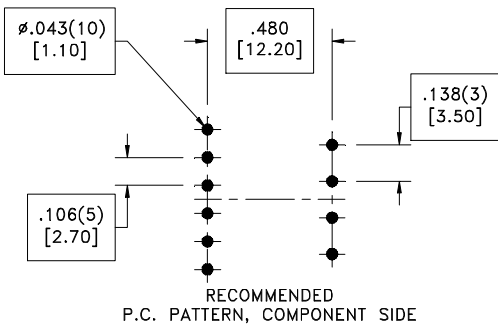
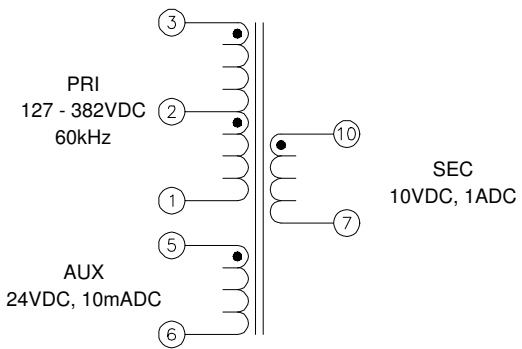
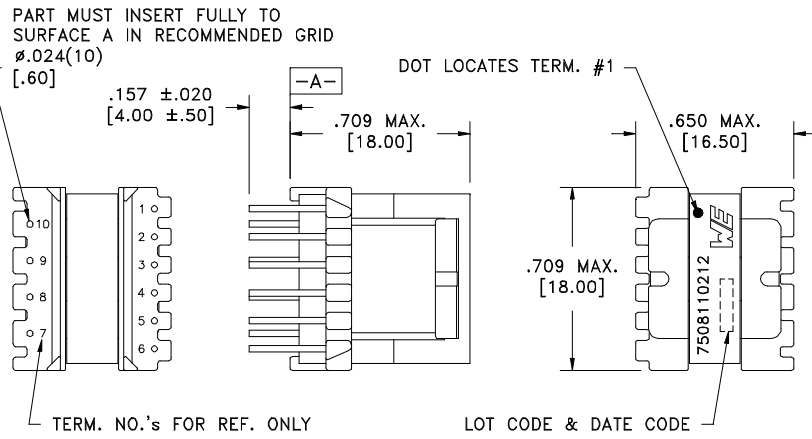


CUSTOMER TERMINAL	RoHS	LEAD(Pb)-FREE
Sn96%, Ag4%	Yes	Yes



ELECTRICAL SPECIFICATIONS @ 25°C unless otherwise noted:

- D.C. RESISTANCE (@20°C): 3-1 , 4.10 Ohms $\pm 10\%$.
5-6 , 3.50 Ohms $\pm 10\%$.
10-7 , 0.053 Ohms $\pm 20\%$.
- DIELECTRIC RATING: 4500VAC, 1 minute tested by applying 4500VAC for 1 second between pins 3-10(tie 1+5).
- INDUCTANCE: 700 μ H $\pm 10\%$, 10kHz, 100mVAC, 0mADC, 3-1, Ls.
- SATURATION CURRENT: 1.4ADC saturating current that causes 20% rolloff from initial inductance.
- LEAKAGE INDUCTANCE: 11 μ H typ., 15 μ H max., 100kHz, 100mVAC, 3-1(tie 5+6, 7+10), Ls.
- URNS RATIO:
(3-1):(5-6), (3.33):(1.00), $\pm 2\%$.
(3-1):(10-7), (8):(1.00), $\pm 2\%$.
(3-2):(2-1), (1):(1.00), $\pm 2\%$.

OPERATING TEMPERATURE RANGE: -40°C to +125°C including temp rise.

Designed to comply with the following requirements as defined by IEC61558-2-17:
- Reinforced insulation for a primary circuit at a working voltage of 400VDC.

Wire insulation & RoHS status not affected by wire color. Wire insulation color may vary depending on availability.

WE-Midcom, Inc. Watertown, SD USA Toll Free: 800-643-2661 Fax: 605-886-4486	Unless otherwise specified, tolerances are as follows: Angles: $\pm 1^\circ$ Fractions: $\pm 1/64$ Decimals: $\pm .005$ (.127mm)		WE-Midcom, Inc.	
	Drawing Title Transformer		Drawing Number 7508110212	Rev. 01
This drawing is dual dimensioned. Dimensions in brackets are in millimeters		Revisions: See Sheet 1		Scale ---- Sheet 2 of 5
Engineer:EJK			11/15/2011	