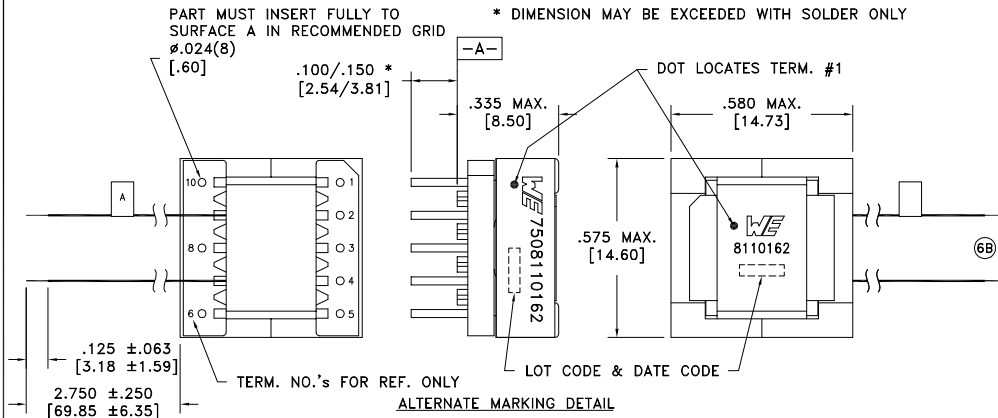


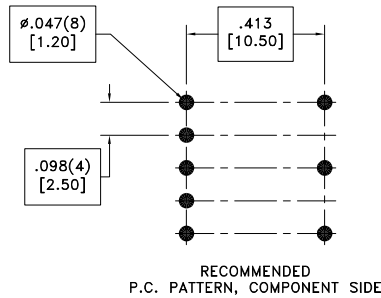
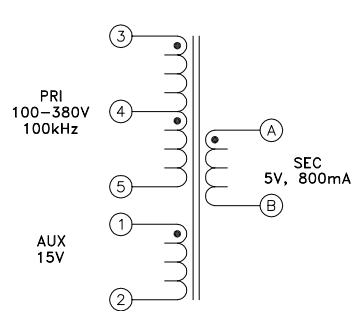
CUSTOMER TERMINAL	RoHS	LEAD(Pb)-FREE
Sn96%, Ag4%	Yes	Yes

more than you expect



ELECTRICAL SPECIFICATIONS @ 25°C unless otherwise noted:

PARAMETER	TEST CONDITIONS	VALUE
D.C. RESISTANCE	3-5 @20°C	6.38 ohms ±10%
D.C. RESISTANCE	1-2 @20°C	0.540 ohms ±10%
D.C. RESISTANCE	A-B @20°C	0.044 ohms ±10%
INDUCTANCE	3-5 10kHz, 100mVAC, Ls	1.5mH ±10%
SATURATION CURRENT	3-5 20% rolloff from initial	420mA
LEAKAGE INDUCTANCE	3-5 tie(1+2, A+B), 100kHz, 100mVAC, Ls	17.0uH typ., 34.0uH max.
DIELECTRIC	4-B tie(3+2), 3750VAC, 1 second	-
DIELECTRIC	3-2 625VAC, 1 second	-
TURNS RATIO	(3-4):(4-5)	1:1, ±1%
TURNS RATIO	(3-5):(1-2)	5.333:1, ±1%
TURNS RATIO	(3-5):(A-B)	16:1, ±1%



GENERAL SPECIFICATIONS:

OPERATING TEMPERATURE RANGE: -40°C to +125°C including temp rise.

Designed to comply with the following requirements as defined by IEC60950-1, EN60950-1, UL60950-1/CSA60950-1 and AS/NZS60950.1:

- Reinforced insulation for a primary circuit at a working voltage of 400VDC.

Wire insulation & RoHS status not affected by wire color.
Wire insulation color may vary depending on availability.

REV.	DATE	Packaging Specifications Method: Tray PKG-1173 www.we-online.com/midcom		Tolerances unless otherwise specified: Angles: ±1° Fractions: ±1/64 Decimals: ±.005 [.13] Footprint: ±.001 [.03]	DRAWING TITLE TRANSFORMER	PART NO. 7508110162
6B	1/19	SEE REVISION SHEET FOR REVISION LEVEL		This drawing is dual dimensioned. Dimensions in brackets are in millimeters.	eiSos p/n: 7508110162	
6A	9/18					SPECIFICATION SHEET 1 OF 1