

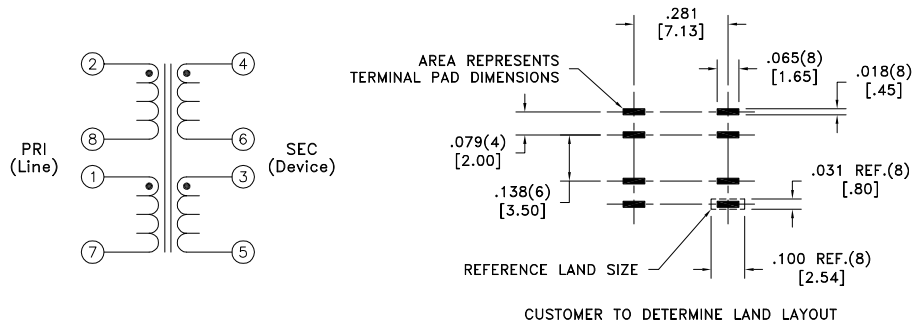
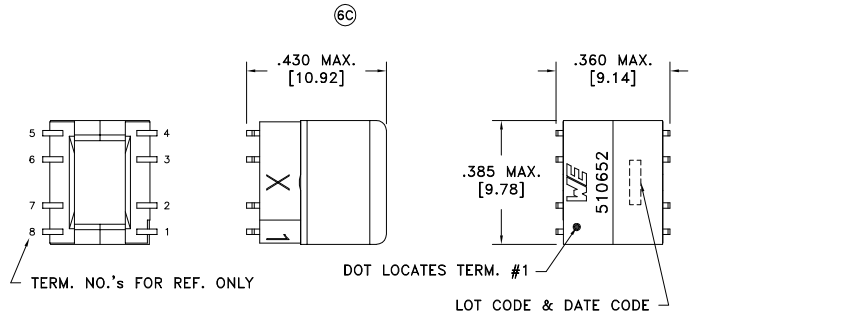
CUSTOMER TERMINAL	RoHS	LEAD(Pb)-FREE
Sn96%, Ag4%	Yes	Yes

more than you expect



ELECTRICAL SPECIFICATIONS @ 25°C unless otherwise noted:

PARAMETER	TEST CONDITIONS	VALUE
D.C. RESISTANCE	2-7 tie(1+8), @20°C	3 ohms max.
D.C. RESISTANCE	4-5 tie(3+6), @20°C	1.5 ohms max.
INDUCTANCE	2-7 tie(1+8), 10kHz, 100mVAC, Ls	470uH ±10%
LEAKAGE INDUCTANCE	2-7 tie(1+8, 3+4+5+6), 1MHz, 100mVAC, Ls	0.60uH min., 1.15uH max.
INTERWINDING CAPACITANCE	2-7 tie(2+8, 1+7, 3+4, 4+5), 100kHz, 100mVAC, Cs	75pF max.
INTERWINDING CAPACITANCE	4-5 tie(4+6, 3+5, 1+8, 2+7), 100kHz, 100mVAC, Cs	75pF max.
INTERWINDING CAPACITANCE	2-4 tie(2+7, 4+5, 1+8, 3+6), 100kHz, 100mVAC, Cs	100pF max.
DIELECTRIC	2-3 tie(1+8, 3+6), 1875VAC, 1 second	-
TURNS RATIO	(2-7):(4-5), tie(1+8, 3+6)	1.25:1, ±1%
TOTAL HARMONIC DISTORTION	25kHz, 2Vrms across PRI, 51 ohm load, 100 ohm input, tie(1+8, 3+6)	-75dB max.
LONGITUDINAL BALANCE	20kHz - 30MHz	33dB min.



GENERAL SPECIFICATIONS:

OPERATING TEMPERATURE RANGE: -40°C to +125°C including temp rise.

Wire insulation & RoHS status not affected by wire color.
Wire insulation color may vary depending on availability.

DETAILS SUBJECT TO CHANGE

REV.	DATE	Packaging Specifications Method: Tape & Reel PKG-0591 www.we-online.com/midcom		Tolerances unless otherwise specified: Angles: ±1° Fractions: ±1/64 Decimals: ±.005 [.13] Footprint: ±.005 [.13]	DRAWING TITLE TRANSFORMER	PART NO. 750510652
6C	9/15					
6B	4/15					
6A	2/15	SEE REVISION SHEET FOR REVISION LEVEL		This drawing is dual dimensioned. Dimensions in brackets are in millimeters.	eiSos p/n: 750510652	SPECIFICATION SHEET 1 OF 1