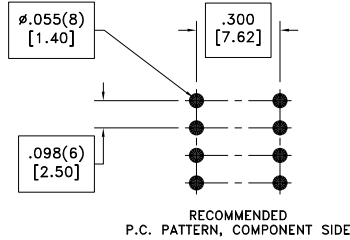
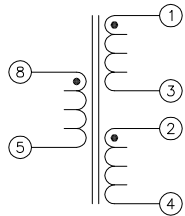
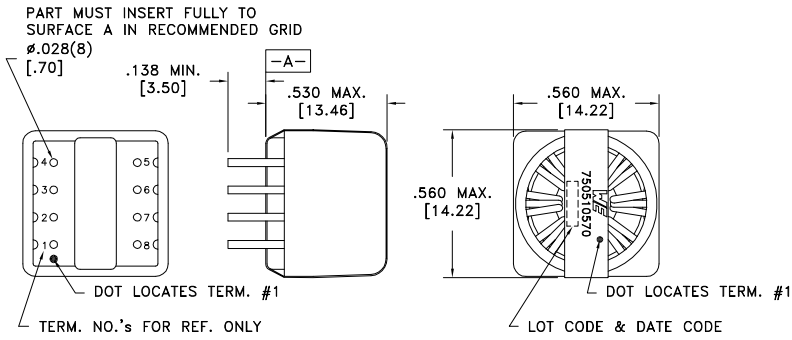


CUSTOMER TERMINAL	RoHS	LEAD(Pb)-FREE
Sn96%, Ag4%	Yes	Yes



ELECTRICAL SPECIFICATIONS @ 25°C unless otherwise noted:

PARAMETER	TEST CONDITIONS	VALUE
D.C. RESISTANCE	1-3 @20°C	0.03 ohms max.
D.C. RESISTANCE	2-4 @20°C	0.03 ohms max.
D.C. RESISTANCE	8-5 @20°C	0.03 ohms max.
INDUCTANCE	1-3 100kHz, 10mVAC, Ls	10uH min.
INDUCTANCE	2-4 100kHz, 10mVAC, Ls	10uH min.
INDUCTANCE	8-5 100kHz, 10mVAC, Ls	10uH min.
DIELECTRIC	1-8 tie(2+3), 3000VAC, 1 second	3000VAC, 1 minute
URNS RATIO	(1-3):(2-4):(8-5)	1:1:1, ±1%
INSERTION LOSS	1MHz - 30MHz	<-1.2dB



GENERAL SPECIFICATIONS:

OPERATING TEMPERATURE RANGE: -40°C to +85°C.

Wire insulation & RoHS status not affected by wire color.
Wire insulation color may vary depending on availability.

REV.	DATE	Packaging Specifications
		Method: Tray
		PKG-1065
		www.we-online.com/midcom
6B	3/19	
6A	5/16	SEE REVISION SHEET FOR



Tolerances unless otherwise specified:
Angles: ±1° Decimals: ±.005 [.13]
Fractions: ±1/64 Footprint: ±.001 [.03]

This drawing is dual dimensioned. Dimensions in brackets are in millimeters.

DRAWING TITLE

TRANSFORMER

eiSos p/n: 750510570



PART NO.

750510570

SPECIFICATION SHEET 1 OF 1