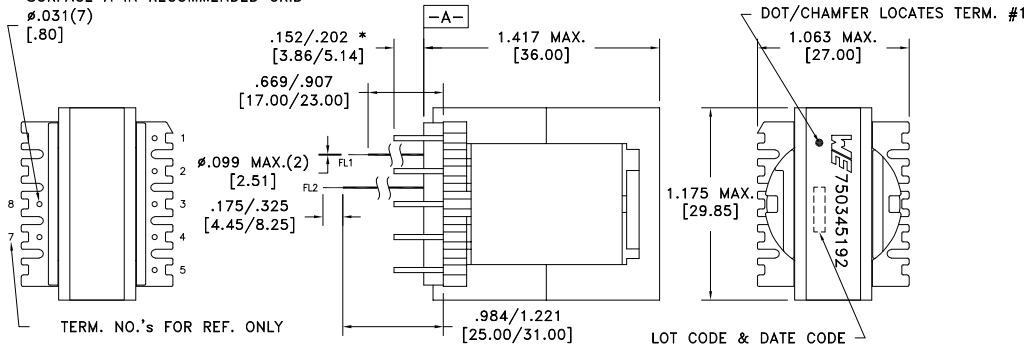


CUSTOMER TERMINAL	RoHS	LEAD(Pb)-FREE
Sn96%, Ag4%	Yes	Yes



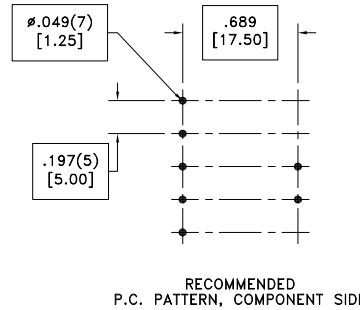
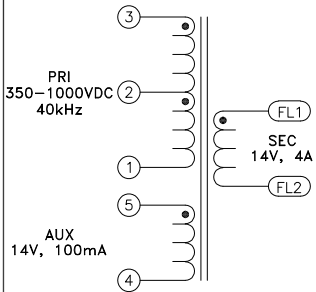
PART MUST INSERT FULLY TO SURFACE A IN RECOMMENDED GRID

\* DIMENSION MAY BE EXCEEDED WITH SOLDER ONLY



**ELECTRICAL SPECIFICATIONS @ 25°C unless otherwise noted:**

PARAMETER	TEST CONDITIONS	VALUE
D.C. RESISTANCE	3-1 @20°C	0.75 ohms max.
D.C. RESISTANCE	5-4 @20°C	0.10 ohms max.
D.C. RESISTANCE	FL1-FL2 @20°C	0.01 ohms max.
INDUCTANCE	3-1 10kHz, 100mVAC, Ls	1.7mH ±10%
LEAKAGE INDUCTANCE	3-1 tie(FL1+FL2), 100kHz, 100mVAC, Ls	40uH max.
DIELECTRIC	1-FL1 tie(3+4), 3800VAC, 1 second	3800VAC, 1 minute
TURNS RATIO	(3-1):(5-4)	16:1
TURNS RATIO	(3-1):(FL1-FL2)	16:1



**GENERAL SPECIFICATIONS:**

OPERATING TEMPERATURE RANGE: -40°C to +125°C including temp rise.

Designed to comply with the following requirements as defined by IEC62368-1, EN62368-1, UL62368-1/CSA62368-1 and AS/NZS62368.1:  
 - Reinforced insulation for a primary circuit at a working voltage of 265Vrms, 400Vpeak, Overvoltage Category II, Pollution Degree 2.

Wire insulation & RoHS status not affected by wire color.  
 Wire insulation color may vary depending on availability.

REV.	DATE	Packaging Specifications Method: Tape & Reel PKG-1140 www.we-online.com/midcom		Tolerances unless otherwise specified: Angles: ±1° Fractions: ±1/64 Decimals: ±.005 [0.13] Footprint: ±.001 [0.03]	DRAWING TITLE <b>TRANSFORMER</b>	PART NO. <b>750345192</b>
6A	9/23	SEE REVISION SHEET FOR REVISION LEVEL	CONVENTION PLACEMENT	This drawing is dual dimensioned. Dimensions in brackets are in millimeters.	eiSos p/n: 750345192	SPECIFICATION SHEET 1 OF 1