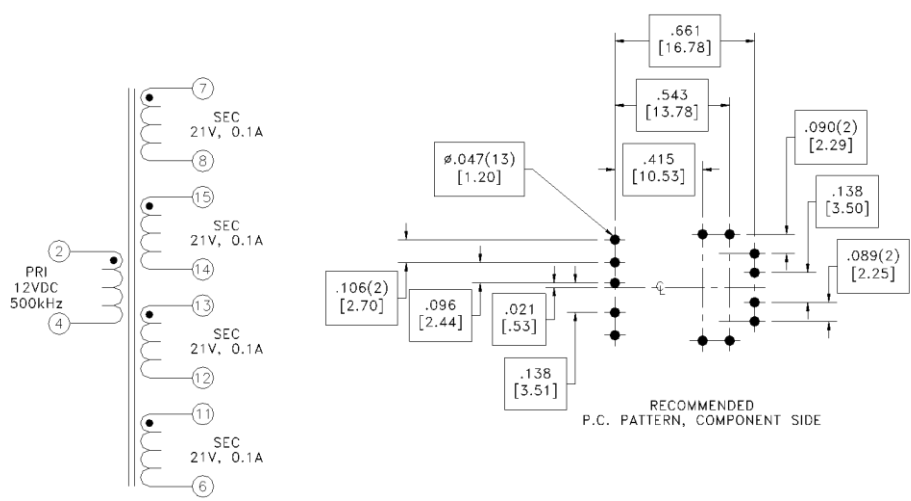
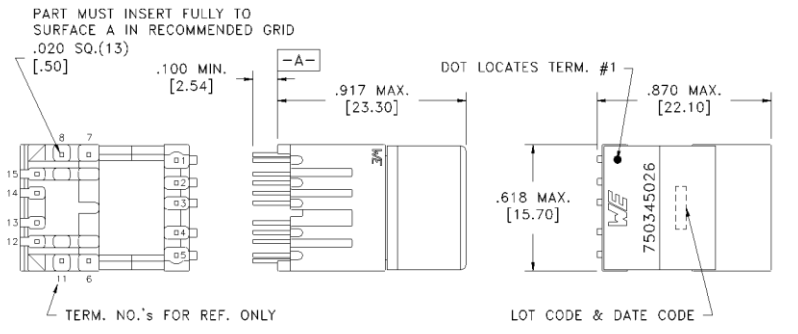


CUSTOMER TERMINAL	RoHS	LEAD(Pb)--FREE
Sn 96%, Ag 4%	Yes	Yes

more than you expect



ELECTRICAL SPECIFICATIONS @ 25° C unless otherwise noted:



PARAMETER	TEST CONDITIONS	VALUE
D.C. RESISTANCE	2-4 @20°C	0.11 ohms max.
D.C. RESISTANCE	7-8 @20°C	0.97 ohms max.
D.C. RESISTANCE	15-14 @20°C	0.97 ohms max.
D.C. RESISTANCE	13-12 @20°C	0.97 ohms max.
D.C. RESISTANCE	11-6 @20°C	0.97 ohms max.
INDUCTANCE	2-4 500kHz, 100mV, Ls	25.00µH min.
LEAKAGE INDUCTANCE	2-4 tie(6 thru 15),100kHz, 100mV, Ls	1.2µH typ., 2.0µH max.
INTERWINDING CAPACITANCE	2-7 100kHz, 10mVAC, Cs	1.8pF typ., 3.0pF max.
INTERWINDING CAPACITANCE	2-15 100kHz, 10mVAC, Cs	1.8pF typ., 3.0pF max.
INTERWINDING CAPACITANCE	2-13 100kHz, 10mVAC, Cs	1.8pF typ., 3.0pF max.
INTERWINDING CAPACITANCE	2-11 100kHz, 10mVAC, Cs	1.8pF typ., 3.0pF max.
DIELECTRIC	2-7 tie(8+14+13+11), 3750VAC, 1 second	3000VAC, 1 minute
DIELECTRIC	7-15 tie(13+14+11), 1250VAC, 1 second	1000VAC, 1 minute
DIELECTRIC	15-13 tie(11+12), 1250VAC, 1 second	1000VAC, 1 minute
DIELECTRIC	13-11 1250VAC, 1 second	1000VAC, 1 minute
URNS RATIO	(7-8):(2-4)	1.83:1
URNS RATIO	(15-14):(2-4)	1.83:1
URNS RATIO	(13-12):(2-4)	1.83:1
URNS RATIO	(11-6):(2-4)	1.83:1

GENERAL SPECIFICATIONS:

OPERATING TEMPERATURE RANGE: -40°C to +125°C including temp rise.
 Designed to comply with the following requirements as defined by IEC62368-1, EN62368-1, UL62368-1/CSA62368-1 and AS/NZS62368.1:
 - Reinforced insulation for a primary circuit at a working voltage of 265Vrms, 400Vpeak, OVC II, Pollution Degree 2.
 Designed to comply with the following requirements as defined by IEC61558-2-16, and EN61558-2-16:
 - Reinforced insulation for a primary circuit at a working voltage of 265Vrms, 400Vpeak (operating frequency of <1MHz), Pollution Degree 2.
 Designed to creepage & clearance distance between primary and secondary 6mm min.

Wire insulation & RoHS status not affected by wire color. Wire insulation color may vary depending on availability. Marking method, font and color may vary on preproduction samples.

DFM	Packaging Specifications		Tolerances unless otherwise specified: Angles: ±1° Decimals: ±.005 [.13] Fractions: ±1/64 Footprint: ±.001 [.03]	DRAWING TITLE	PART NO.
DATE	Method: Tray				
ENG	PKG-0956				
REV.	01				
DATE	2021/10/14	www.we-online.com/midcom			SPECIFICATION SHEET 1 OF 1