

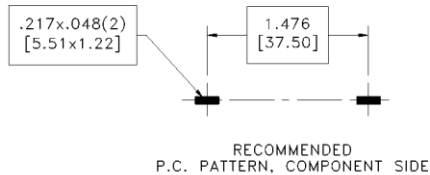
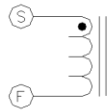
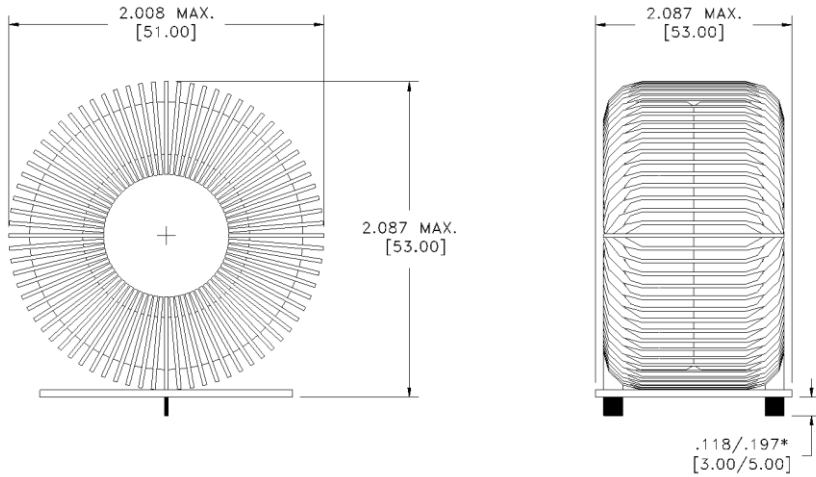
CUSTOMER TERMINAL	RoHS	LEAD(Pb)--FREE
Sn 96%, Ag 4%	Yes	Yes



**ELECTRICAL SPECIFICATIONS @ 25° C unless otherwise noted:**

PARAMETER	TEST CONDITIONS	VALUE
D.C. RESISTANCE	S-F @20°C	0.09 ohms max.
INDUCTANCE	S-F 10kHz, 100mV, Ls	800µH ±20%
SATURATION CURRENT	S-F 30% rolloff from initial	5.5A

\* DIMENSION MAY BE EXCEEDED WITH SOLDER ONLY



**GENERAL SPECIFICATIONS:**

OPERATING TEMPERATURE RANGE: -40°C to +125°C including temp rise.  
CURRENT RATING: 15A

Wire insulation & RoHS status not affected by wire color. Wire insulation color may vary depending on availability. Marking method, font and color may vary on preproduction samples.

DFM	Packaging Specifications	<p>CONVENTION PLACEMENT</p>	<p>Tolerances unless otherwise specified: Angles: ±1°    Decimals: ±.005 [.13] Fractions: ±1/64    Footprint: ±.003 [.08]</p>	<p>DRAWING TITLE</p> <p><b>INDUCTOR</b></p>	<p>PART NO.</p> <p><b>750344954</b></p>
DATE	Method: PKG-0291				
ENG	TLI				
REV.	01				
DATE	2022/5/4	www.we-online.com/midcom			