

CUSTOMER TERMINAL	RoHS	LEAD(Pb)--FREE
Sn 96%, Ag 4%	Yes	Yes

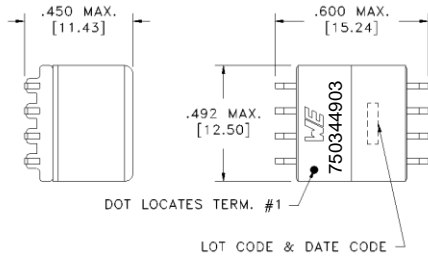
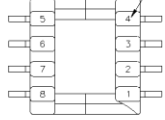
more than you expect



**ELECTRICAL SPECIFICATIONS @ 25° C unless otherwise noted:**

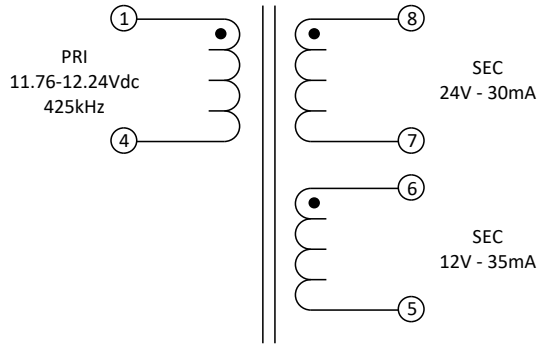
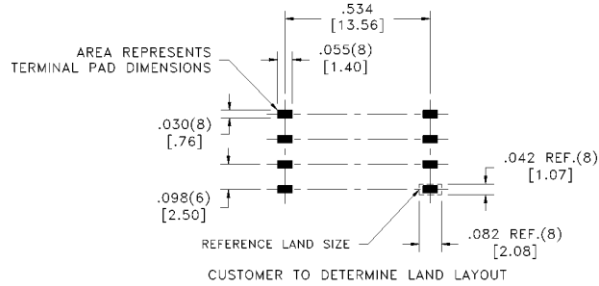
PARAMETER	TEST CONDITIONS	VALUE
D.C. RESISTANCE	1-4 @20°C	0.15 ohms max.
D.C. RESISTANCE	8-7 @20°C	0.37 ohms max.
D.C. RESISTANCE	6-5 @20°C	0.75 ohms max.
INDUCTANCE	1-4 400kHz, 100mV, Ls	300.00µH min.
LEAKAGE INDUCTANCE	1-4 tie(5+6+7+8), 100kHz, 100mV, Ls	0.5µH typ., 1.0µH max.
DIELECTRIC	1-8 tie(6+7), 1500VAC, 1 second	
URNS RATIO	(8-7):(1-4)	2.08:1
URNS RATIO	(6-5):(1-4)	1.08:1

TERM. NO.'s FOR REF. ONLY



DOT LOCATES TERM. #1

LOT CODE & DATE CODE



**GENERAL SPECIFICATIONS:**

OPERATING TEMPERATURE RANGE: -40°C to +125°C including temp rise.  
Voltage Time: 54VuS

Wire insulation & RoHS status not affected by wire color. Wire insulation color may vary depending on availability. Marking detail font and color may vary on preproduction samples.

DFM	Packaging Specifications	 CONVENTION PLACEMENT	Tolerances unless otherwise specified: Angles: ±1°    Decimals: ±.005 [.13] Fractions: ±1/64    Footprint: ±.005 [.13]	DRAWING TITLE	PART NO.
DATE	Method: Tape & Reel				
ENG	PKG-0328			TRANSFORMER	750344903
REV.	00		This drawing is dual dimensioned. Dimensions in brackets are in millimeters.		
DATE	2020/12/18	www.we-online.com/midcom			SPECIFICATION SHEET 1 OF 1