

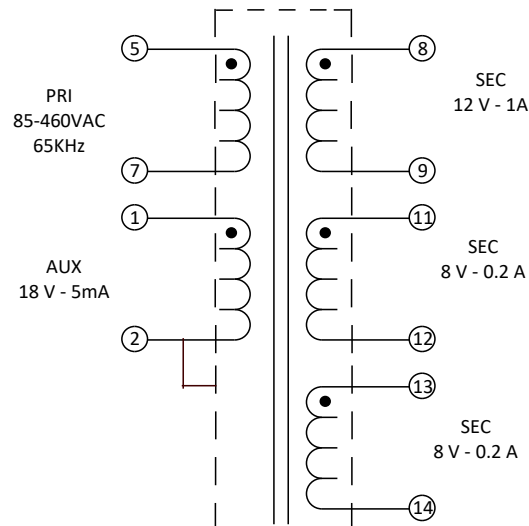
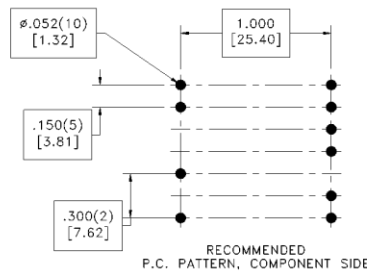
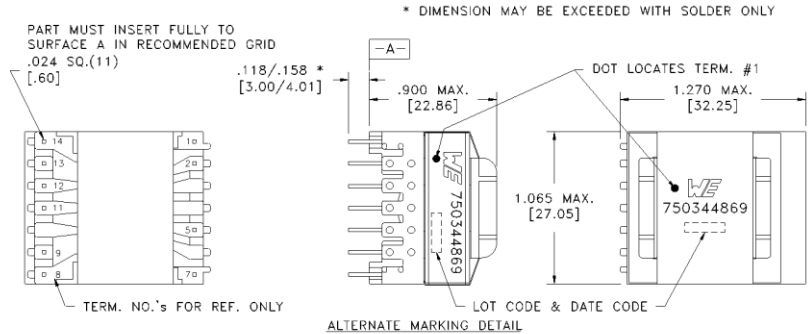
CUSTOMER TERMINAL	RoHS	LEAD(Pb)--FREE
Sn 96%, Ag 4%	Yes	Yes

more than you expect



**ELECTRICAL SPECIFICATIONS @ 25° C unless otherwise noted:**

PARAMETER	TEST CONDITIONS	VALUE
D.C. RESISTANCE	1-2 @20°C	0.17 ohms max.
D.C. RESISTANCE	5-7 @20°C	0.60 ohms max.
D.C. RESISTANCE	8-9 @20°C	0.05 ohms max.
D.C. RESISTANCE	11-12 @20°C	0.08 ohms max.
D.C. RESISTANCE	13-14 @20°C	0.08 ohms max.
INDUCTANCE	5-7 10kHz, 100mV, Ls	730.00µH ±10%
SATURATION CURRENT	5-7 20% rolloff from initial	1A
LEAKAGE INDUCTANCE	5-7 tie(8+9+11+12+13+14),100kHz, 100mV, Ls	35µH max.
DIELECTRIC	7-8 tie(2+5,8+9+11+12+13+14), 5000VAC, 1 second	4000VAC, 1 minute
DIELECTRIC	1-7 625VAC, 1 second	
URNS RATIO	(5-7):(1-2)	5.27:1
URNS RATIO	(5-7):(8-9)	6.44:1
URNS RATIO	(5-7):(11-12)	9.67:1
URNS RATIO	(5-7):(13-14)	9.67:1



**GENERAL SPECIFICATIONS:**

OPERATING TEMPERATURE RANGE: -40°C to +125°C including temp rise.

Designed to comply with the following requirements as defined by IEC62368-1, EN62368-1, UL62368-1/CSA62368-1 and AS/NZS62368.1:

- Reinforced insulation for a primary circuit at a working voltage of 460Vrms, 650Vpeak, OVC II, Pollution Degree 2.

Designed to meet 6kV (1.2x50µsec, 3± repetitions) surge test between PRI and SEC.

Wire insulation & RoHS status not affected by wire color. Wire insulation color may vary depending on availability. Marking detail font and color may vary on preproduction samples.

DFM	Packaging Specifications	<p>CONVENTION PLACEMENT</p>	Tolerances unless otherwise specified:	DRAWING TITLE	PART NO.
DATE	Method: Tray		Angles: ±1°		
ENG	PKG-0737		Fractions: ±1/64	TRANSFORMER	750344869
REV.	02		Footprint: ±.001 [.03]		
DATE	2021/6/24	www.we-online.com/midcom	This drawing is dual dimensioned. Dimensions in brackets are in millimeters.		SPECIFICATION SHEET 1 OF 1