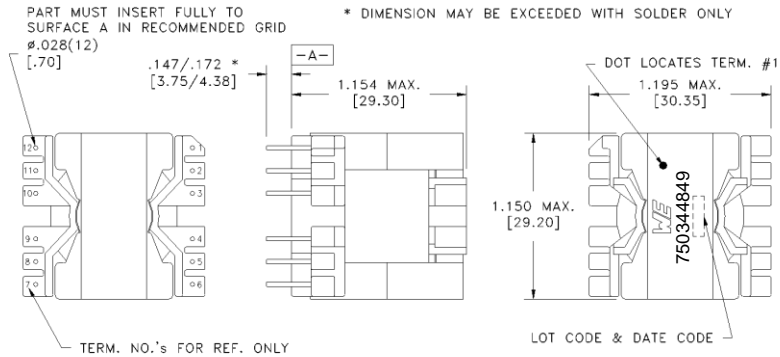


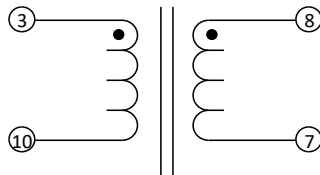
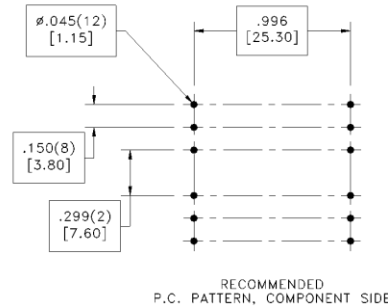
CUSTOMER TERMINAL	RoHS	LEAD(Pb)--FREE
Sn 96%, Ag 4%	Yes	Yes

more than you expect



ELECTRICAL SPECIFICATIONS @ 25° C unless otherwise noted:

PARAMETER	TEST CONDITIONS	VALUE
D.C. RESISTANCE	3-10 @20°C	0.50 ohms max.
D.C. RESISTANCE	8-7 @20°C	0.17 ohms max.
INDUCTANCE	3-10 10kHz, 100mV, Ls	880µH ±10%
SATURATION CURRENT	3-10 20% rolloff from initial	4A
DIELECTRIC	3-7 625VAC, 1 second	500VAC, 1 minute
URNS RATIO	(3-10):(8-7)	14.92:1



GENERAL SPECIFICATIONS:

OPERATING TEMPERATURE RANGE: -40°C to +125°C including temp rise.

Wire insulation & RoHS status not affected by wire color. Wire insulation color may vary depending on availability. Marking detail font and color may vary on preproduction samples.

DFM	Packaging Specifications		Tolerances unless otherwise specified:	DRAWING TITLE	PART NO.
DATE	Method: Tray		Angles: $\pm 1^\circ$		
ENG	TLI	PKG-0807	Fractions: $\pm 1/64$	INDUCTOR	750344849
REV.	02		Footprint: $\pm .001$ [.03]		
DATE	2020/12/3	www.we-online.com/midcom	This drawing is dual dimensioned. Dimensions in brackets are in millimeters.		SPECIFICATION SHEET 1 OF 1