

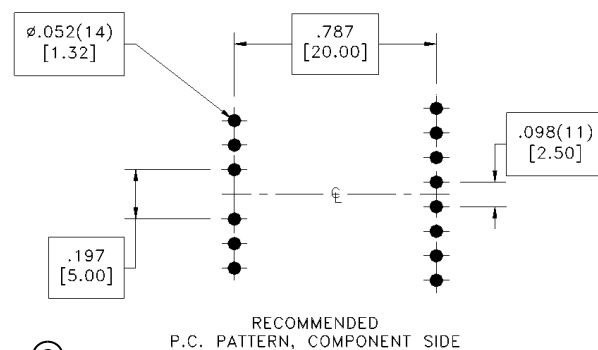
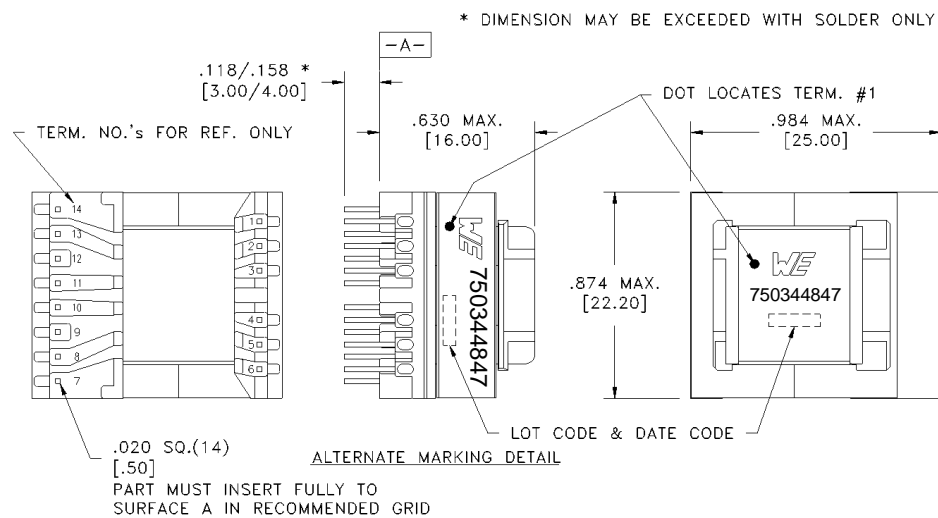
CUSTOMER TERMINAL	RoHS	LEAD(Pb)--FREE
Sn 96%, Ag 4%	Yes	Yes

more than you expect



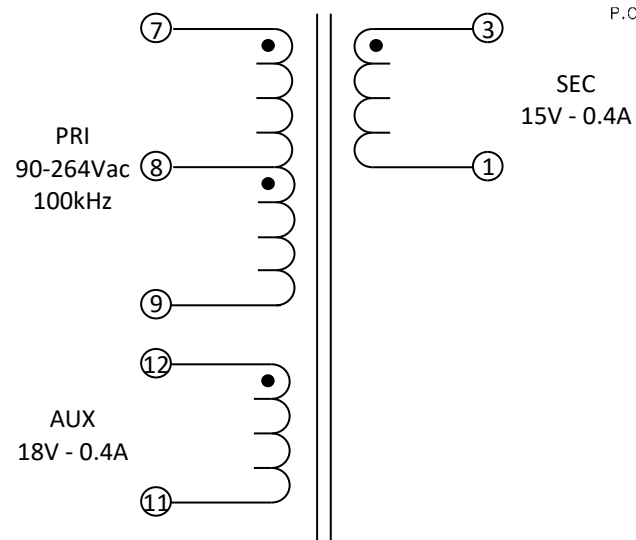
ELECTRICAL SPECIFICATIONS @ 25° C unless otherwise noted:

PARAMETER	TEST CONDITIONS	VALUE
D.C. RESISTANCE	7-9 @20°C	3.15 ohms max.
D.C. RESISTANCE	12-11 @20°C	0.21 ohms max.
D.C. RESISTANCE	3-1 @20°C	0.11 ohms max.
INDUCTANCE	7-9 10kHz, 100mV, Ls	830µH ±10%
SATURATION CURRENT	7-9 20% rolloff from initial	1.5A
LEAKAGE INDUCTANCE	7-9 tie(1+3+11+12), 100kHz, 100mV, Ls	30µH max.
DIELECTRIC	7-1 tie(9+11), 1500VAC, 1 second	
URNS RATIO	(7-9):(12-11)	6.95:1
URNS RATIO	(7-9):(3-1)	8.18:1



GENERAL SPECIFICATIONS:

OPERATING TEMPERATURE RANGE: -40°C to +125°C including temp rise.



Wire insulation & RoHS status not affected by wire color. Wire insulation color may vary depending on availability. Marking detail font and color may vary on preproduction samples.

DFM		Packaging Specifications	<p>Tolerances unless otherwise specified: Angles: ±1° Decimals: ±.005 [.13] Fractions: ±1/64 Footprint: ±.001 [.03]</p>	DRAWING TITLE TRANSFORMER	PART NO. 750344847
DATE		Method: Tray PKG-0736			
ENG	TLI		<p>This drawing is dual dimensioned. Dimensions in brackets are in millimeters.</p>		SPECIFICATION SHEET 1 OF 1
REV.	00				
DATE	2020/10/13	www.we-online.com/midcom			