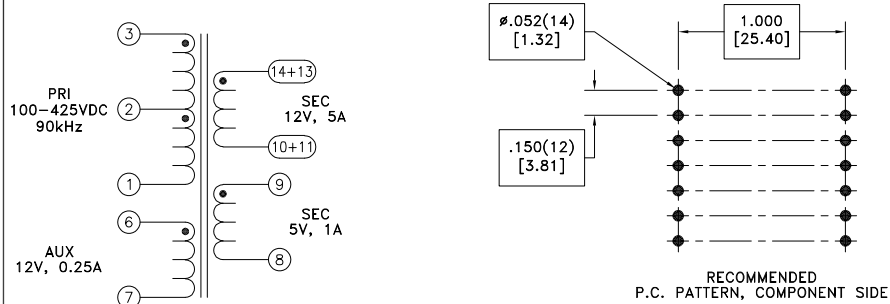
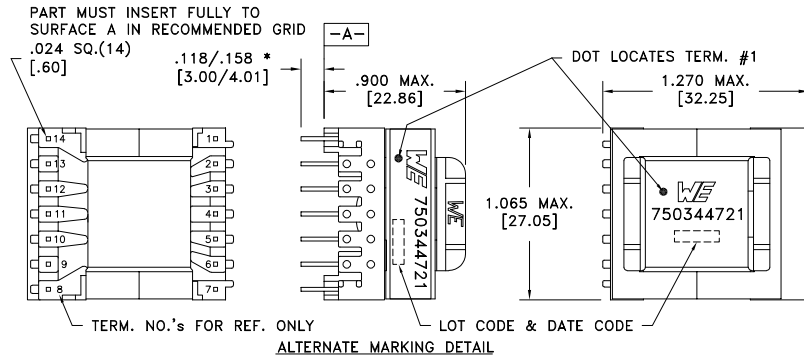


CUSTOMER TERMINAL	RoHS	LEAD(Pb)-FREE
Sn96%, Ag4%	Yes	Yes



* DIMENSION MAY BE EXCEEDED WITH SOLDER ONLY



Customer to tie terminals 13+14 and 10+11 on PC board.

Application of the transformer allows for the leadwires between terminals 13&14 and 10&11 to solder bridge.

ELECTRICAL SPECIFICATIONS @ 25°C unless otherwise noted:

PARAMETER	TEST CONDITIONS	VALUE
D.C. RESISTANCE	1-3 @20°C	0.310 ohms max.
D.C. RESISTANCE	6-7 @20°C	0.070 ohms max.
D.C. RESISTANCE	14-11 tie(10+11, 13+14), @20°C	0.012 ohms max.
D.C. RESISTANCE	8-9 @20°C	0.025 ohms max.
INDUCTANCE	3-1 10kHz, 100mVAC, Ls	270.00uH ±10%
LEAKAGE INDUCTANCE	3-1 tie(8+9+10+11+13+14), 100kHz, 100mVAC, Ls	15uH max.
DIELECTRIC	1-14 tie(1+2+3+6+7, 8+9+10+11+13+14), 3750VAC, 1 second	3000VAC, 1 minute
DIELECTRIC	1-7 600VAC, 1 second	-
TURNS RATIO	(3-1):(6-7)	10:1
TURNS RATIO	(3-1):(14-11), tie(13+14, 10+11)	10:1
TURNS RATIO	(3-1):(9-8)	25:1

GENERAL SPECIFICATIONS:

OPERATING TEMPERATURE RANGE: -40°C to +125°C including temp rise.

Designed to comply with the following requirements as defined by IEC62368-1, EN62368-1, UL62368-1/CSA62368-1 and AS/NZS62368.1:

- Reinforced insulation for a primary circuit at a working voltage of 265Vrms, 400Vpeak, Overvoltage Category II, Pollution Degree 2.

Wire insulation & RoHS status not affected by wire color.
Wire insulation color may vary depending on availability.

REV.	DATE	Packaging Specifications Method: Tray PKG-0737 www.we-online.com/midcom		Tolerances unless otherwise specified: Angles: ±1° Fractions: ±1/64 Decimals: ±.005 [.13] Footprint: ±.001 [.03]	DRAWING TITLE TRANSFORMER	PART NO. 750344721
6A	11/21	SEE REVISION SHEET FOR REVISION LEVEL		This drawing is dual dimensioned. Dimensions in brackets are in millimeters.	eiSos p/n: 750344721	SPECIFICATION SHEET 1 OF 1