

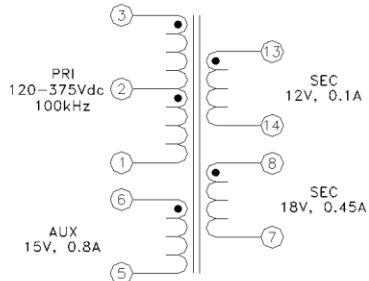
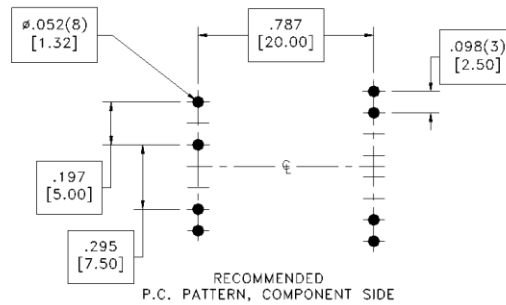
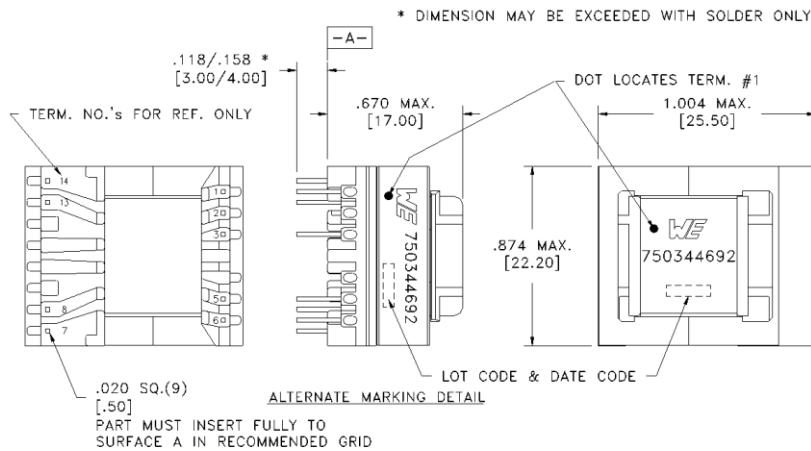
CUSTOMER TERMINAL	RoHS	LEAD(Pb)--FREE
Sn 96%, Ag 4%	Yes	Yes

more than you expect



**ELECTRICAL SPECIFICATIONS @ 25° C unless otherwise noted:**

PARAMETER	TEST CONDITIONS	VALUE
D.C. RESISTANCE	3-1 @20°C	1.220 ohms max.
D.C. RESISTANCE	6-5 @20°C	0.065 ohms max.
D.C. RESISTANCE	13-14 @20°C	0.200 ohms max.
D.C. RESISTANCE	8-7 @20°C	0.140 ohms max.
INDUCTANCE	3-1 10kHz, 100mV, Ls	950µH ±10%
LEAKAGE INDUCTANCE	3-1 tie(5+6+7+8+13+14), 100kHz, 100mV, Ls	15µH max.
DIELECTRIC	1-14 tie(3+5,8+13), 3750VAC, 1 second	3000VAC, 1 minute
URNS RATIO	(3-1):(6-5)	5.07:1, ±2%
URNS RATIO	(3-1):(13-14)	5.85:1, ±2%
URNS RATIO	(3-1):(8-7)	5.07:1, ±2%



**GENERAL SPECIFICATIONS:**

OPERATING TEMPERATURE RANGE: -40°C to +125°C including temp rise.

Designed to comply with the following requirements as defined by IEC60950-1:

- Reinforced insulation for a primary circuit at a working voltage of 265Vrms, 400Vpeak, OVC II, Pollution Degree 2.

Wire insulation & RoHS status not affected by wire color. Wire insulation color may vary depending on availability.

DFM	Packaging Specifications	<p>CONVENTION PLACEMENT</p>	<p>Tolerances unless otherwise specified:            Angles: ±1°    Decimals: ±.005 [.13]            Fractions: ±1/64    Footprint: ±.001 [.03]</p>	DRAWING TITLE	PART NO.
DATE	Method: Tray				
ENG	TLI	PKG-0736			
REV.	00				
DATE	2020/4/10	www.we-online.com/midcom			SPECIFICATION SHEET 1 OF 1