

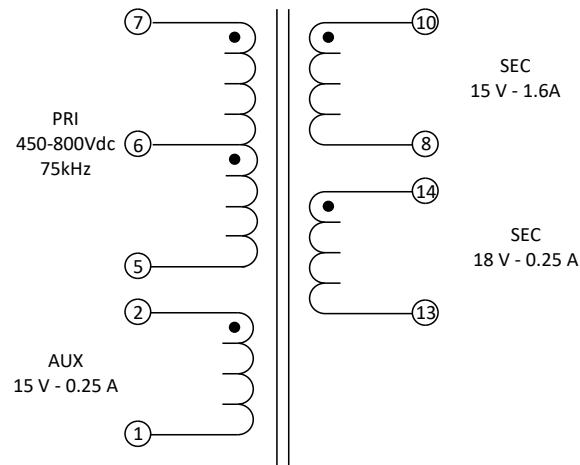
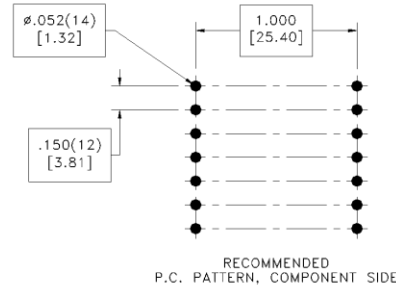
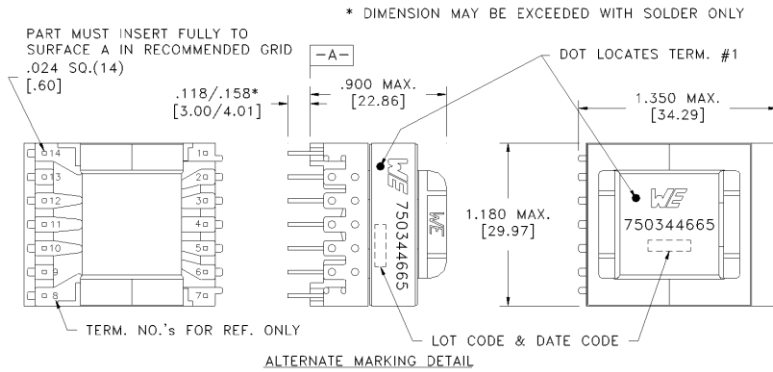
CUSTOMER TERMINAL	RoHS	LEAD(Pb)--FREE
Sn 96%, Ag 4%	Yes	Yes

more than you expect



ELECTRICAL SPECIFICATIONS @ 25° C unless otherwise noted:

PARAMETER	TEST CONDITIONS	VALUE
D.C. RESISTANCE	1-2 @20°C	0.09 ohms max.
D.C. RESISTANCE	5-7 @20°C	3.5 ohms max.
D.C. RESISTANCE	8-10 @20°C	0.035 ohms max.
D.C. RESISTANCE	13-14 @20°C	0.135 ohms max.
INDUCTANCE	7-5 10kHz, 100mV, Ls	2.50mH ±10%
SATURATION CURRENT	7-5 20% rolloff from initial	0.7A
LEAKAGE INDUCTANCE	7-5 tie(1+2+8+10+13+14),100kHz, 100mV, Ls	45µH max.
DIELECTRIC	1-10 tie(2+5), 4000VAC, 1 second	3200VAC, 1 minute
DIELECTRIC	8-14 4000VAC, 1 second	
URNS RATIO	(7-5):(2-1)	21:1
URNS RATIO	(7-5):(10-8)	15.75:1
URNS RATIO	(7-5):(14-13)	18:1



GENERAL SPECIFICATIONS:

OPERATING TEMPERATURE RANGE: -40°C to +125°C including temp rise.

Designed to comply with the following requirements as defined by IEC61800-5, EN61800-5, UL61800-5/CSA61800-5 and AS/NZS61800.5:

- Reinforced insulation for a primary circuit at a working voltage of 565Vrms, 800Vpeak, OVC II, Pollution Degree 2.

Designed to meet 5.8 kV (1.2x50µsec, 3± repetitions) surge test between PRI and SEC.

Wire insulation & RoHS status not affected by wire color. Wire insulation color may vary depending on availability. Marking detail font and color may vary on preproduction samples.

DFM	Packaging Specifications	 CONVENTION PLACEMENT	Tolerances unless otherwise specified: Angles: ±1° Decimals: ±.005 [.13] Fractions: ±1/64 Footprint: ±.001 [.03]	DRAWING TITLE TRANSFORMER	PART NO. 750344665
DATE	Method: Tray PKG-0737		This drawing is dual dimensioned. Dimensions in brackets are in millimeters.		
ENG	NWU				
REV.	02				
DATE	2021/1/25	www.we-online.com/midcom			SPECIFICATION SHEET 1 OF 1