

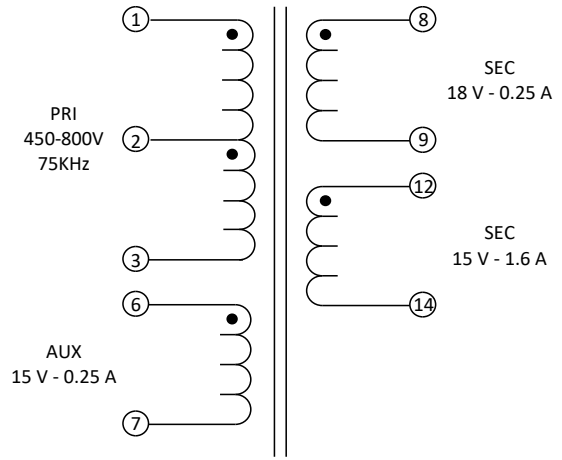
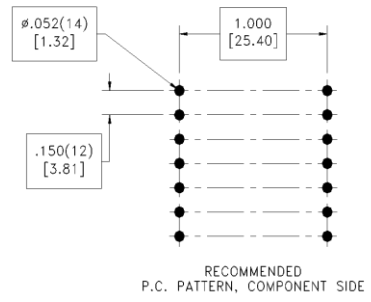
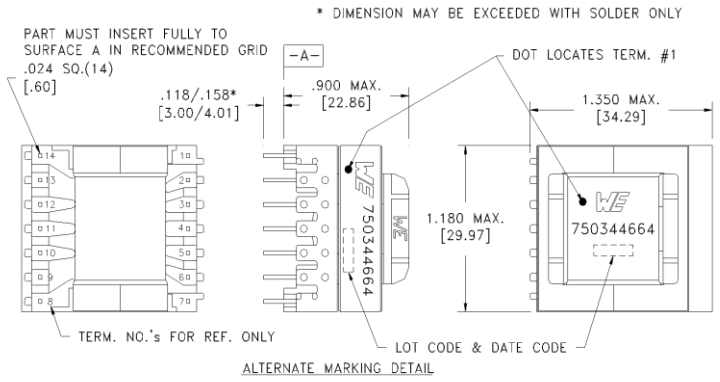
CUSTOMER TERMINAL	RoHS	LEAD(Pb)--FREE
Sn 96%, Ag 4%	Yes	Yes

more than you expect



ELECTRICAL SPECIFICATIONS @ 25° C unless otherwise noted:

PARAMETER	TEST CONDITIONS	VALUE
D.C. RESISTANCE	1-3 @20°C	3.5 ohms max.
D.C. RESISTANCE	6-7 @20°C	0.09 ohms max.
D.C. RESISTANCE	8-9 @20°C	0.135 ohms max.
D.C. RESISTANCE	12-14 @20°C	0.035 ohms max.
INDUCTANCE	1-3 10kHz, 100mV, Ls	2.50mH ±10%
SATURATION CURRENT	1-3 20% rolloff from initial	0.7A
LEAKAGE INDUCTANCE	1-3 tie(6+7+8+9+12+14),100kHz, 100mV, Ls	45µH max.
DIELECTRIC	1-14 tie(3+6), 4000VAC, 1 second	3200VAC, 1 minute
DIELECTRIC	8-14 4000VAC, 1 second	
URNS RATIO	(1-3):(12-14)	15.75:1
URNS RATIO	(1-3):(8-9)	18:1
URNS RATIO	(1-3):(6-7)	21:1



GENERAL SPECIFICATIONS:

OPERATING TEMPERATURE RANGE: -40°C to +125°C including temp rise.

Designed to comply with the following requirements as defined by IEC61800-5, EN61800-5, UL61800-5/CSA61800-5 and AS/NZS61800.5:

- Reinforced insulation for a primary circuit at a working voltage of 565Vrms, 800Vpeak, OVC II, Pollution Degree 2.

Designed to meet 5.8 kV (1.2x50µsec, 3± repetitions) surge test between PRI and SEC.

Wire insulation & RoHS status not affected by wire color. Wire insulation color may vary depending on availability. Marking detail font and color may vary on preproduction samples.

DFM	Packaging Specifications	<p>CONVENTION PLACEMENT</p>	Tolerances unless otherwise specified: Angles: ±1° Decimals: ±.005 [.13] Fractions: ±1/64 Footprint: ±.001 [.03]	DRAWING TITLE TRANSFORMER	PART NO. 750344664
DATE	Method: Tray PKG-0737		This drawing is dual dimensioned. Dimensions in brackets are in millimeters.		
ENG	NWU				
REV.	04				
DATE	2021/1/25	www.we-online.com/midcom			SPECIFICATION SHEET 1 OF 1