

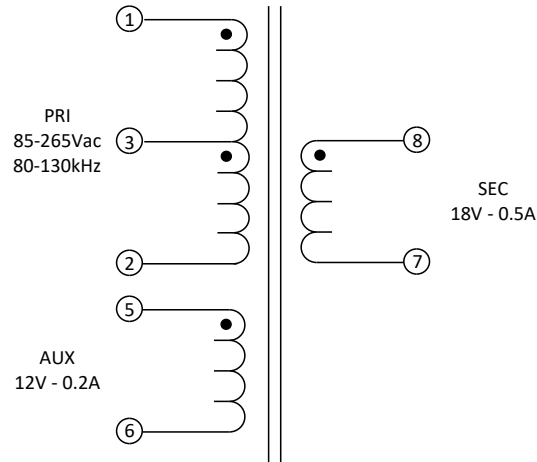
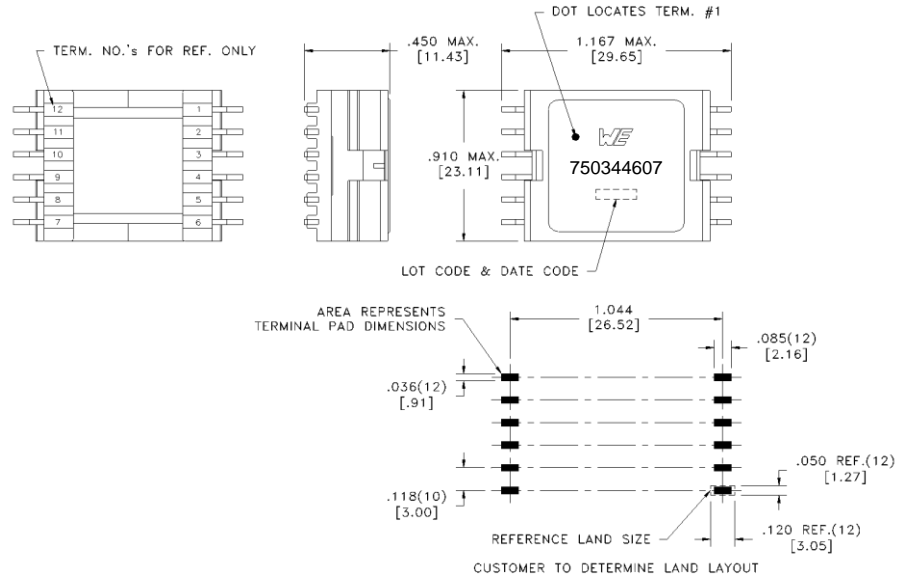
CUSTOMER TERMINAL	RoHS	LEAD(Pb)--FREE
Sn 96%, Ag 4%	Yes	Yes

more than you expect



ELECTRICAL SPECIFICATIONS @ 25° C unless otherwise noted:

PARAMETER	TEST CONDITIONS	VALUE
D.C. RESISTANCE	1-2 @20°C	1.91 ohms max.
D.C. RESISTANCE	7-8 @20°C	0.08 ohms max.
D.C. RESISTANCE	5-6 @20°C	0.14 ohms max.
INDUCTANCE	1-2 100kHz, 100mV, Ls	2.50mH ±5%
SATURATION CURRENT	1-2 20% rolloff from initial	500mA
LEAKAGE INDUCTANCE	1-2 tie(5+6+7+8), 100kHz, 100mV, Ls	22µH max.
DIELECTRIC	1-8 tie(6+7), 1875VAC, 1 second	1500VAC, 1 minute
DIELECTRIC	1-5 625VAC, 1 second	
URNS RATIO	(1-2):(8-7)	8.63:1, ±2%
URNS RATIO	(1-2):(5-6)	12.55:1, ±2%



GENERAL SPECIFICATIONS:

OPERATING TEMPERATURE RANGE: -40°C to +125°C including temp rise.
 - Functional insulation only

Wire insulation & RoHS status not affected by wire color. Wire insulation color may vary depending on availability.

DFM	Packaging Specifications	 CONVENTION PLACEMENT	Tolerances unless otherwise specified:	DRAWING TITLE	PART NO.
DATE	Method: Tape & Reel		Angles: ±1° Decimals: ±.005 [.13]		
ENG	PKG-0868	Fractions: ±1/64 Footprint: ±.005 [.13]	This drawing is dual dimensioned. Dimensions in brackets are in millimeters.	SPECIFICATION SHEET 1 OF 1	
REV.	00				
DATE	2020/1/6	www.we-online.com/midcom			