

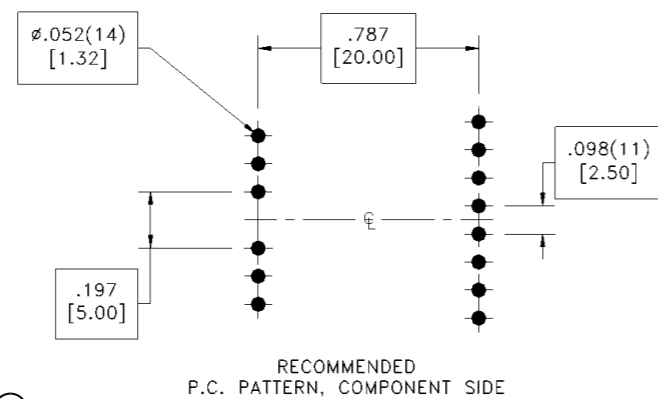
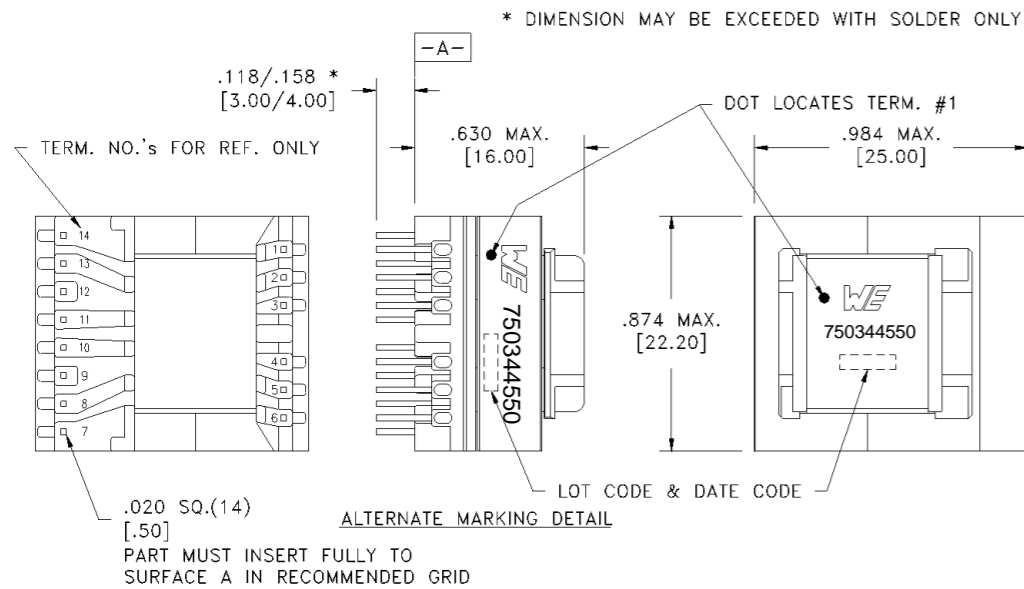
CUSTOMER TERMINAL	RoHS	LEAD(Pb)--FREE
Sn 96%, Ag 4%	Yes	Yes

more than you expect



ELECTRICAL SPECIFICATIONS @ 25° C unless otherwise noted:

PARAMETER	TEST CONDITIONS	VALUE
D.C. RESISTANCE	3-1 @20°C	0.480 ohms max.
D.C. RESISTANCE	6-5 @20°C	0.025 ohms max.
D.C. RESISTANCE	14-7 @20°C	0.018 ohms max.
D.C. RESISTANCE	8-10 @20°C	0.120 ohms max.
INDUCTANCE	3-1 10kHz, 100mV, Ls	240.00µH ±10%
LEAKAGE INDUCTANCE	3-1 tie(5+6+7+8+10+14), 100kHz, 100mV, Ls	8 µH max.
DIELECTRIC	1-14 3750VAC, 1 second	
TURNS RATIO	(3-1):(14-7)	10:1, ±2%
TURNS RATIO	(3-1):(6-5)	10:1, ±2%
TURNS RATIO	(3-1):(8-10)	20:1, ±2%

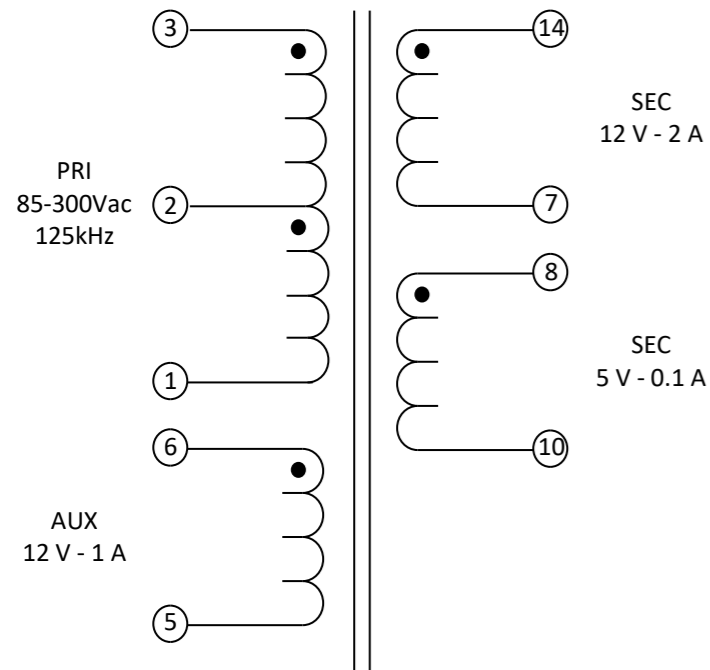


GENERAL SPECIFICATIONS:

OPERATING TEMPERATURE RANGE: -40°C to +125°C including temp rise.

Designed to comply with the following requirements as defined by IEC60950-1, EN60950-1, UL60950-1/CSA60950-1 and AS/NZS60950.1:

- Reinforced insulation for a primary circuit at a working voltage of 265Vrms, 400Vpeak, OVC II, Pollution Degree 2.



Wire insulation & RoHS status not affected by wire color. Wire insulation color may vary depending on availability.

DFM		Packaging Specifications Method: Tray PKG-0736	 CONVENTION PLACEMENT	Tolerances unless otherwise specified:	DRAWING TITLE TRANSFORMER	PART NO. 750344550	
DATE				Angles: ±1°			Decimals: ±.005 [.13]
ENG	NWU			Fractions: ±1/64			Footprint: ±.001 [.03]
REV.	00			This drawing is dual dimensioned. Dimensions in brackets are in millimeters.			
DATE	2019/11/1			www.we-online.com/midcom			
SPECIFICATION SHEET 1 OF 1							