

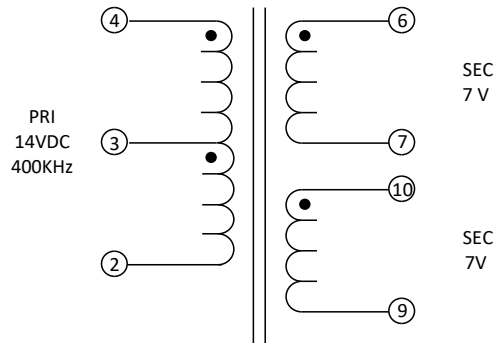
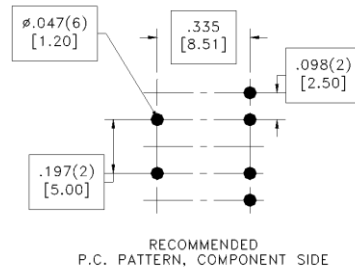
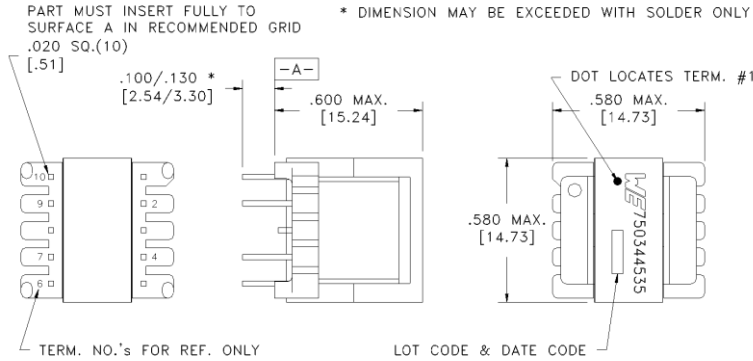
CUSTOMER TERMINAL	RoHS	LEAD(Pb)--FREE
Sn 96%, Ag 4%	Yes	Yes

more than you expect



ELECTRICAL SPECIFICATIONS @ 25° C unless otherwise noted:

PARAMETER	TEST CONDITIONS	VALUE
D.C. RESISTANCE	2-4 @20°C	0.10 ohms max.
D.C. RESISTANCE	6-7 @20°C	0.06 ohms max.
D.C. RESISTANCE	10-9 @20°C	0.06 ohms max.
INDUCTANCE	2-4 10kHz, 100mV, Ls	110.00µH min.
LEAKAGE INDUCTANCE	2-4 tie(6+7+9+10),100kHz, 100mV, Ls	1µH max.
DIELECTRIC	2-6 tie(7+9), 1250VAC, 1 second	
URNS RATIO	(4-2):(6-7)	2:1, ±2%
URNS RATIO	(4-2):(10-9)	2:1, ±2%



GENERAL SPECIFICATIONS:

OPERATING TEMPERATURE RANGE: -40°C to +125°C including temp rise.

Wire insulation & RoHS status not affected by wire color. Wire insulation color may vary depending on availability.

DFM	Packaging Specifications	 CONVENTION PLACEMENT	Tolerances unless otherwise specified: Angles: ±1° Decimals: ±.005 [.13] Fractions: ±1/64 Footprint: ±.001 [.03]	DRAWING TITLE	PART NO.
DATE	Method: Tray				
ENG	PKG-0816				
REV.	01				
DATE	2020/4/23	www.we-online.com/midcom			SPECIFICATION SHEET 1 OF 1