

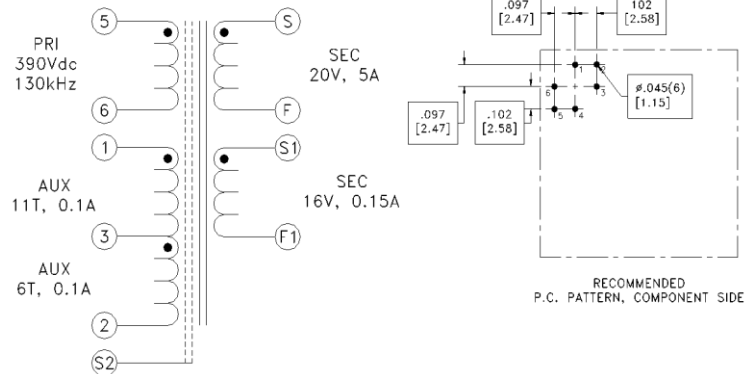
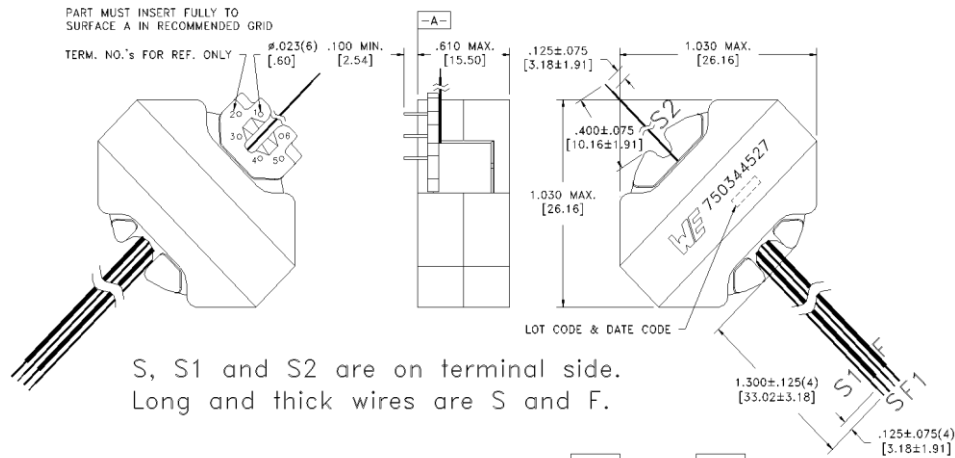
CUSTOMER TERMINAL	RoHS	LEAD(Pb)--FREE
Sn 96%, Ag 4%	Yes	Yes

more than you expect



ELECTRICAL SPECIFICATIONS @ 25° C unless otherwise noted:

PARAMETER	TEST CONDITIONS	VALUE
D.C. RESISTANCE	5-6 @20°C	0.180 ohms max.
D.C. RESISTANCE	S-F @20°C	0.020 ohms max.
D.C. RESISTANCE	1-3 @20°C	0.290 ohms max.
D.C. RESISTANCE	3-2 @20°C	0.170 ohms max.
D.C. RESISTANCE	S1-F1 @20°C	0.270 ohms max.
INDUCTANCE	5-6 100kHz, 100mV, Ls	110.00µH ±10%
SATURATION CURRENT	5-6 20% rolloff from initial	6.5A
LEAKAGE INDUCTANCE	5-6 tie(1+2+3+S+F),100kHz, 100mV, Ls	3µH max.
INTERWINDING CAPACITANCE	5-S 100kHz, 10mVAC, Cs	50.0pF typ.
DIELECTRIC	5-S tie(1+6, S+S1), 3750VAC, 1 second	
DIELECTRIC	1-6 625VAC, 1 second	
URNS RATIO	(5-6):(S-F)	5.4:1, ±2%
URNS RATIO	(5-6):(1-3)	2.45:1, ±2%
URNS RATIO	(5-6):(3-2)	4.5:1, ±2%
URNS RATIO	(5-6):(S1-F1)	4.5:1, ±2%



GENERAL SPECIFICATIONS:

OPERATING TEMPERATURE RANGE: -40°C to +125°C including temp rise.

Designed to comply with the following requirements as defined by IEC60950-1,

EN60950-1, UL60950-1/CSA60950-1 and AS/NZS60950.1:

- Reinforced insulation for a primary circuit at a working voltage of 265Vrms, 400Vpeak, Overvoltage Category II, pollution degree 2.

Wire insulation & RoHS status not affected by wire color. Wire insulation color may vary depending on availability.

DFM	Packaging Specifications	 CONVENTION PLACEMENT	Tolerances unless otherwise specified:	DRAWING TITLE	PART NO.
DATE	Method: Tray		Angles: ±1° Decimals: ±.005 [.13]	This drawing is dual dimensioned. Dimensions in brackets are in millimeters.	TRANSFORMER
ENG	PKG-1129	Fractions: ±1/64 Footprint: ±.001 [.03]			
REV.	00				
DATE	2019/9/24	www.we-online.com/midcom			SPECIFICATION SHEET 1 OF 1