

CUSTOMER TERMINAL	RoHS	LEAD(Pb)--FREE
Sn 96%, Ag 4%	Yes	Yes

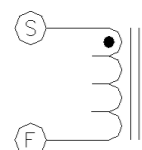
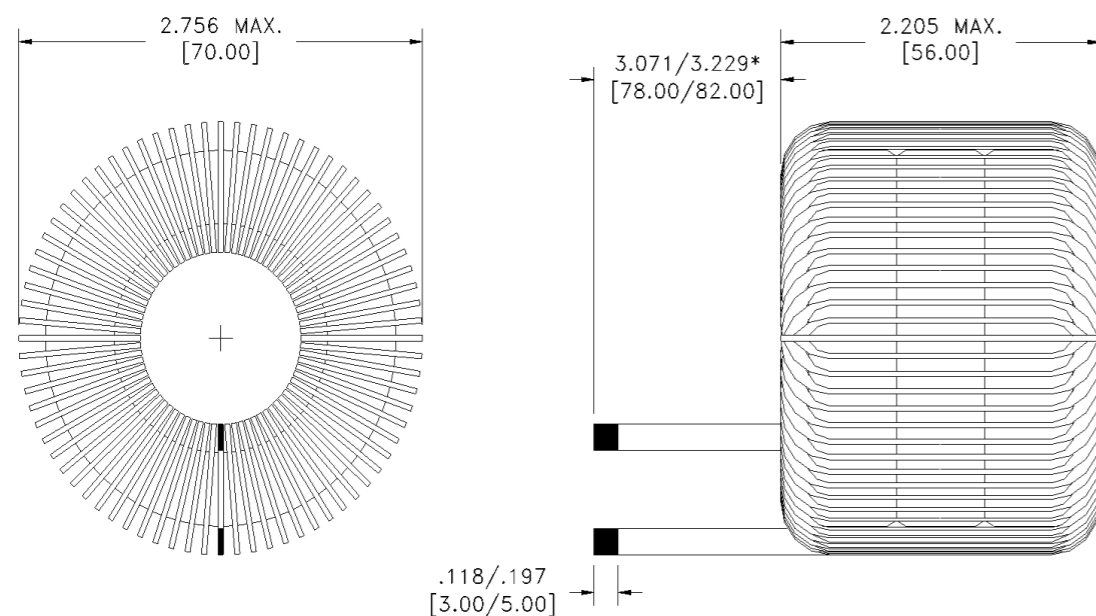
more than you expect



ELECTRICAL SPECIFICATIONS @ 25° C unless otherwise noted:

PARAMETER	TEST CONDITIONS	VALUE
D.C. RESISTANCE	S-F @20°C	0.06 ohms max.
INDUCTANCE	S-F 10kHz, 100mV, Ls	514µH ±20%
SATURATION CURRENT	S-F 30% rolloff from initial	26A

* DIMENSION MAY BE EXCEEDED WITH SOLDER ONLY



GENERAL SPECIFICATIONS:

OPERATING TEMPERATURE RANGE: -40°C to +125°C including temp rise.

Rated Current: 17.2A

Wire insulation & RoHS status not affected by wire color. Wire insulation color may vary depending on availability.

DFM		Packaging Specifications	 CONVENTION PLACEMENT	Tolerances unless otherwise specified:	DRAWING TITLE	PART NO.
DATE		Method: Tray		Angles: ±1° Decimals: ±.005 [.13]		
ENG	TLI	PKG-TBD	Fractions: ±1/64 Footprint: ±.001 [.03]	This drawing is dual dimensioned. Dimensions in brackets are in millimeters.	SPECIFICATION SHEET 1 OF 1	
REV.	00					
DATE	2019/11/7	www.we-online.com/midcom				