

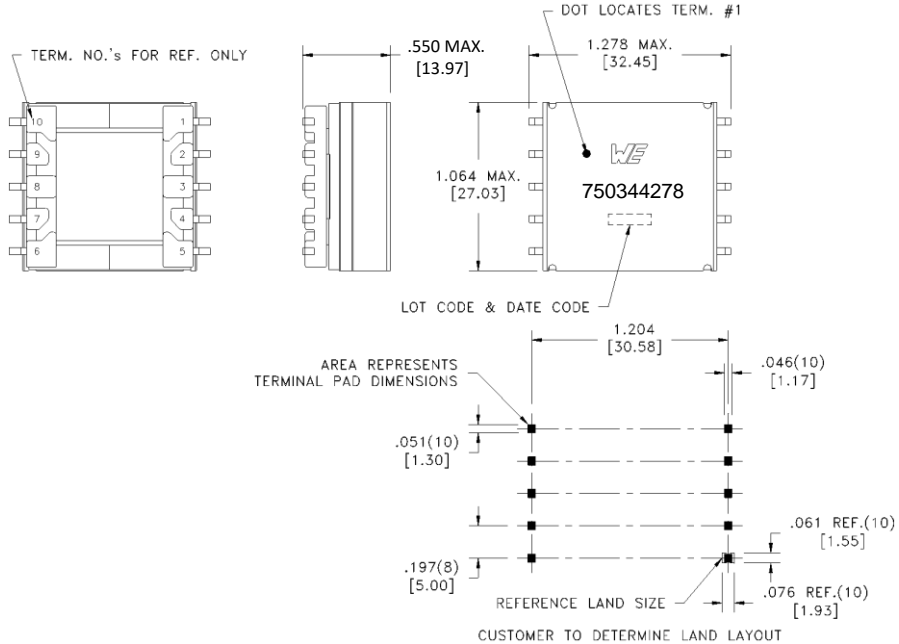
CUSTOMER TERMINAL	RoHS	LEAD(Pb)--FREE
Sn 96%, Ag 4%	Yes	Yes

more than you expect



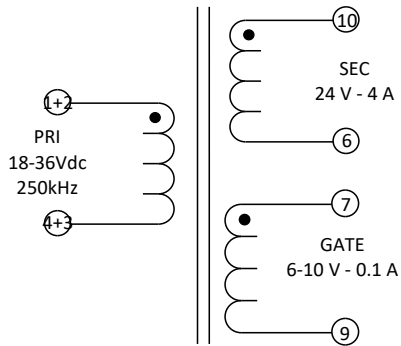
**ELECTRICAL SPECIFICATIONS @ 25° C unless otherwise noted:**

PARAMETER	TEST CONDITIONS	VALUE	
D.C. RESISTANCE	1-4	tie(1+2,4+3), @20°C	7.0 mohms max.
D.C. RESISTANCE	7-9	@20°C	50 mohms max.
D.C. RESISTANCE	10-6	@20°C	25 mohms max.
INDUCTANCE	1-4	tie(1+2,4+3),250kHz, 100mV, Ls	32.00µH ±20%
LEAKAGE INDUCTANCE	1-4	tie(6+7+9+10,1+2n4+5),100kHz, 100mV, Ls	0.32µH max.
DIELECTRIC	1-10	tie(10+9,1+2), 1875VAC, 1 second	
URNS RATIO		(10-6):(1-4), tie(1+2,4+3)	2.25:1, ±2%
URNS RATIO		(1-4):(7-9), tie(1+2,4+3)	1.33:1, ±2%



**GENERAL SPECIFICATIONS:**

OPERATING TEMPERATURE RANGE: -40°C to +125°C including temp rise.



Application of the transformer allows for the leadwires between terminals 1&2 and 4&3 to solder bridge.

Customer to tie terminals 1 + 2 and 4 + 3 on PC board.

Wire insulation & RoHS status not affected by wire color. Wire insulation color may vary depending on availability.

DFM	Packaging Specifications	 CONVENTION PLACEMENT	Tolerances unless otherwise specified:	DRAWING TITLE	PART NO.
DATE	Method: Tray		Angles: ±1°		
ENG	SLC	PKG-1023	Fractions: ±1/64	TRANSFORMER	750344278
REV.	02		Footprint: ±.005 [.13]		
DATE	8/22/2019	www.we-online.com/midcom	This drawing is dual dimensioned. Dimensions in brackets are in millimeters.		SPECIFICATION SHEET 1 OF 1