

CUSTOMER TERMINAL	RoHS	LEAD(Pb)-FREE
Sn96%, Ag4%	Yes	Yes



ELECTRICAL SPECIFICATIONS @ 25°C unless otherwise noted:

PARAMETER	TEST CONDITIONS	VALUE
D.C. RESISTANCE	3-1 @20°C	0.760 ohms max.
D.C. RESISTANCE	6-5 @20°C	0.065 ohms max.
D.C. RESISTANCE	14-7 @20°C	0.030 ohms max.
INDUCTANCE	3-1 10kHz, 100mVAC, Ls	550.00uH ±10%
LEAKAGE INDUCTANCE	3-1 tie(5+6+7+14), 100kHz, 100mVAC, Ls	10uH max.
DIELECTRIC	1-14 tie(6+7), 5000VDC, 1 second	-
TURNS RATIO	(3-1):(6-5)	5.82:1, ±2%
TURNS RATIO	(3-1):(14-7)	8:1, ±2%

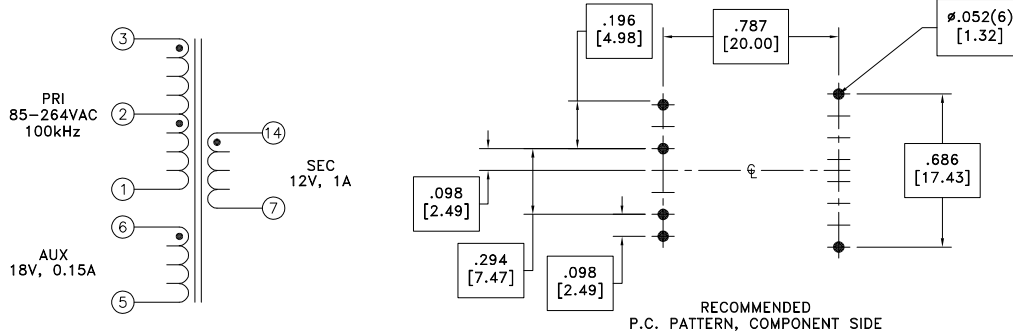
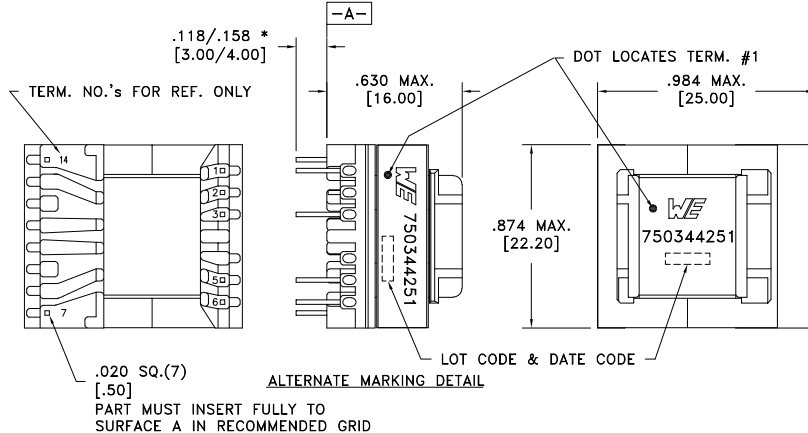
GENERAL SPECIFICATIONS:

OPERATING TEMPERATURE RANGE: -40°C to +125°C including temp rise.

Designed to comply with the following requirements as defined by IEC60950-1, EN60950-1, UL60950-1/CSA60950-1 and AS/NZS60950.1:

- Reinforced insulation for a primary circuit at a working voltage of 265Vrms, 400Vpeak, Overvoltage Category II, Pollution Degree 2.

\* DIMENSION MAY BE EXCEEDED WITH SOLDER ONLY



Wire insulation & RoHS status not affected by wire color.  
Wire insulation color may vary depending on availability.

REV.	DATE	Packaging Specifications Method: Tray PKG-0736 www.we-online.com/midcom		Tolerances unless otherwise specified: Angles: ±1° Fractions: ±1/64 Decimals: ±.005 [.13] Footprint: ±.001 [.03]	DRAWING TITLE <b>TRANSFORMER</b>	PART NO. <b>750344251</b>
6A	00/00	SEE REVISION SHEET FOR REVISION LEVEL		This drawing is dual dimensioned. Dimensions in brackets are in millimeters.	eiSos p/n: 750344251	compliant RoHS SPECIFICATION SHEET 1 OF 1