

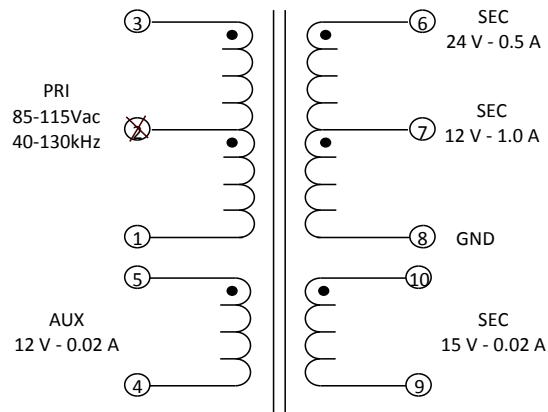
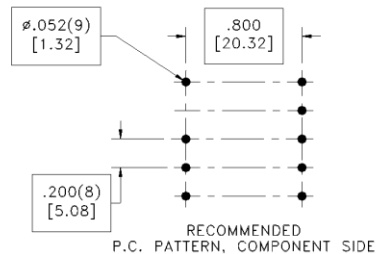
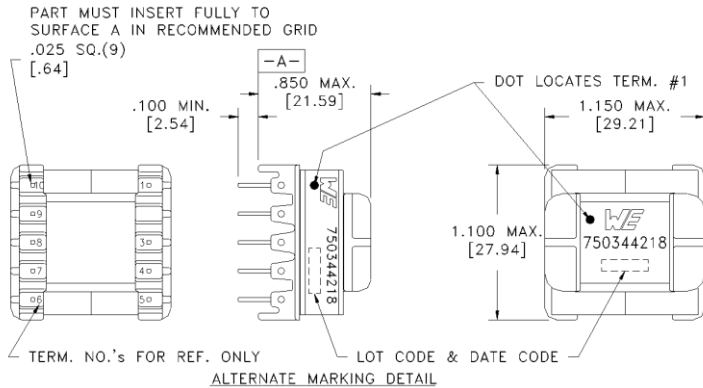
CUSTOMER TERMINAL	RoHS	LEAD(Pb)--FREE
Sn 96%, Ag 4%	Yes	Yes

more than you expect



ELECTRICAL SPECIFICATIONS @ 25° C unless otherwise noted:

PARAMETER	TEST CONDITIONS	VALUE
D.C. RESISTANCE	3-1 @20°C	0.616 ohms max.
D.C. RESISTANCE	5-4 @20°C	0.140 ohms max.
D.C. RESISTANCE	10-9 @20°C	0.266 ohms max.
D.C. RESISTANCE	7-8 @20°C	0.035 ohms max.
D.C. RESISTANCE	6-7 @20°C	0.066 ohms max.
INDUCTANCE	3-1 100kHz, 100mV, Ls	420µH ±10%
LEAKAGE INDUCTANCE	3-1 tie(4+5+6+7+8+9+10), 100kHz, 100mV, Ls	12 µH max.
DIELECTRIC	1-10 tie(3+4,8+9), 3600VAC, 1 second	2880VAC, 1 minute
DIELECTRIC	1-Core tie(3+4), 1000VAC, 1 second	800VAC, 1 minute
DIELECTRIC	10-Core tie(8+9), 2000VAC, 1 second	1600VAC, 1 minute
TURNS RATIO	(3-1):(5-4)	9:1, ±2%
TURNS RATIO	(3-1):(10-9)	8:1, ±2%
TURNS RATIO	(3-1):(7-8)	9:1, ±2%
TURNS RATIO	(3-1):(6-7)	9:1, ±2%



GENERAL SPECIFICATIONS:

OPERATING TEMPERATURE RANGE: -40°C to +125°C including temp rise.
No safety required.

Product contains reportable levels of REACH SVHC component Dechlorane Plus™ found in AM113 plastic

Wire insulation & RoHS status not affected by wire color. Wire insulation color may vary depending on availability.

DFM	Packaging Specifications	<p>CONVENTION PLACEMENT</p>	<p>Tolerances unless otherwise specified: Angles: ±1° Decimals: ±.005 [.13] Fractions: ±1/64 Footprint: ±.001 [.03]</p> <p>This drawing is dual dimensioned. Dimensions in brackets are in millimeters.</p>	<p>DRAWING TITLE</p> <p>TRANSFORMER</p>	<p>PART NO.</p> <p>750344218</p>
DATE	Method: Tray				
ENG	TLI	PKG-0820			
REV.	00				
DATE	2018-12-18	www.we-online.com/midcom			SPECIFICATION SHEET 1 OF 1