

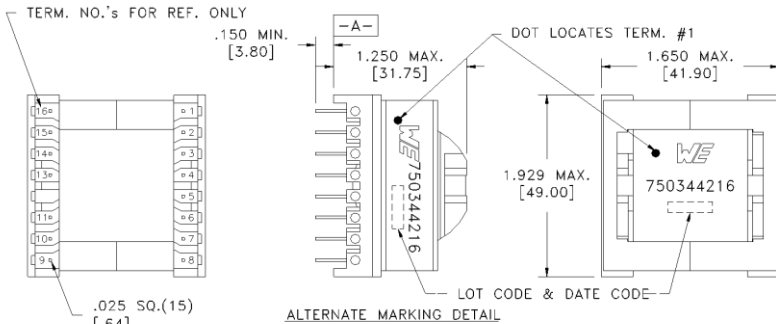
CUSTOMER TERMINAL	RoHS	LEAD(Pb)--FREE
Sn 96%, Ag 4%	Yes	Yes

more than you expect



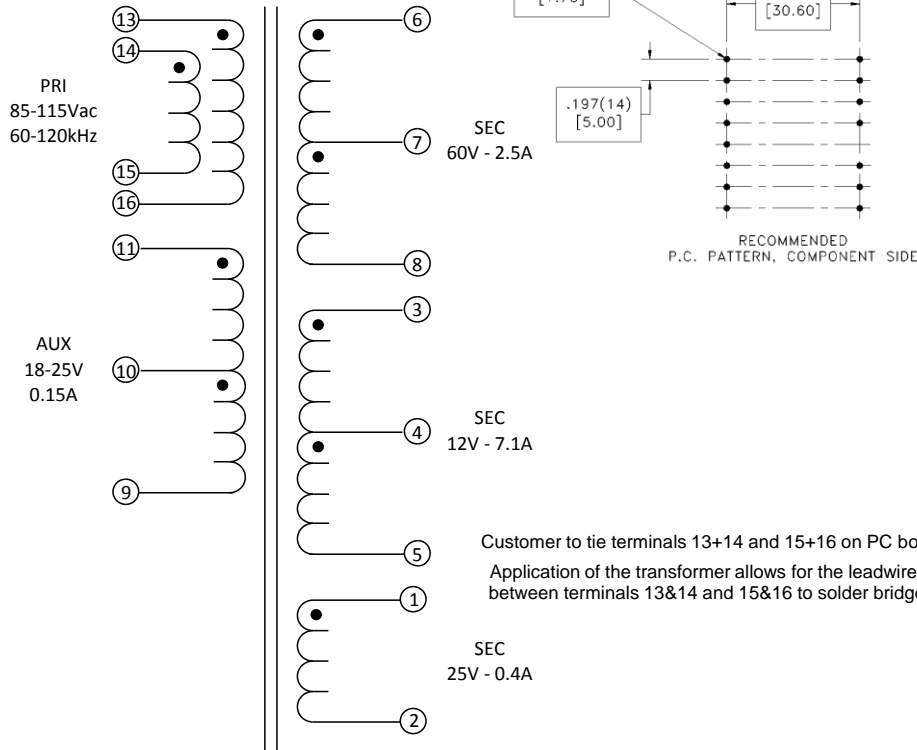
ELECTRICAL SPECIFICATIONS @ 25° C unless otherwise noted:

PARAMETER	TEST CONDITIONS	VALUE
D.C. RESISTANCE	13-15 tie(13+14,15+16), @20°C	0.11 ohms max.
D.C. RESISTANCE	3-5 @20°C	0.03 ohms max.
D.C. RESISTANCE	6-8 @20°C	0.15 ohms max.
D.C. RESISTANCE	1-2 @20°C	0.09 ohms max.
D.C. RESISTANCE	11-10 @20°C	0.18 ohms max.
D.C. RESISTANCE	10-9 @20°C	0.08 ohms max.
INDUCTANCE	13-15 tie(13+14,15+16),100kHz, 100mV, Ls	55.00µH ±10%
LEAKAGE INDUCTANCE	13-15 tie(13+14,15+16,1 thru 11),100kHz, 100mV, Ls	0.8µH typ., 1.1µH max.
DIELECTRIC	13-6 tie(13+14+11,5+6+1), 2500VAC, 3 second	
DIELECTRIC	13-CORE tie(13+14+11), 2000VAC, 3 second	
DIELECTRIC	6-CORE tie(5+6+1), 1000VAC, 3 second	
URNS RATIO	(6-8):(13-15), tie(13+14,15+16)	1.66:1, ±2%
URNS RATIO	(13-15):(3-5), tie(13+14,15+16)	2.9:1, ±2%
URNS RATIO	(13-15):(1-2), tie(13+14,15+16)	3.22:1, ±2%
URNS RATIO	(13-15):(11-10), tie(13+14,15+16)	4.83:1, ±2%
URNS RATIO	(13-15):(10-9), tie(13+14,15+16)	14.5:1, ±2%



ALTERNATE MARKING DETAIL

.025 SQ.(15) [.64]
PART MUST INSERT FULLY TO SURFACE A IN RECOMMENDED GRID



RECOMMENDED P.C. PATTERN, COMPONENT SIDE

GENERAL SPECIFICATIONS:

OPERATING TEMPERATURE RANGE: -40°C to +125°C including temp rise.

Wire insulation & RoHS status not affected by wire color. Wire insulation color may vary depending on availability.

DFM	Packaging Specifications		Tolerances unless otherwise specified: Angles: ±1° Decimals: ±.005 [.13] Fractions: ±1/64 Footprint: ±.001 [.03]	DRAWING TITLE TRANSFORMER	PART NO. 750344216
DATE	Method: Tray				
ENG	YU	PKG-0899	This drawing is dual dimensioned. Dimensions in brackets are in millimeters.		SPECIFICATION SHEET 1 OF 1
REV.	00				
DATE	12/14/2018	www.we-online.com/midcom			