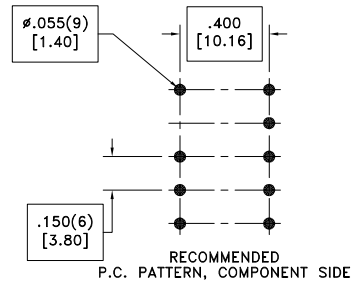
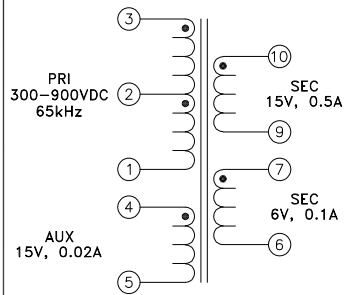
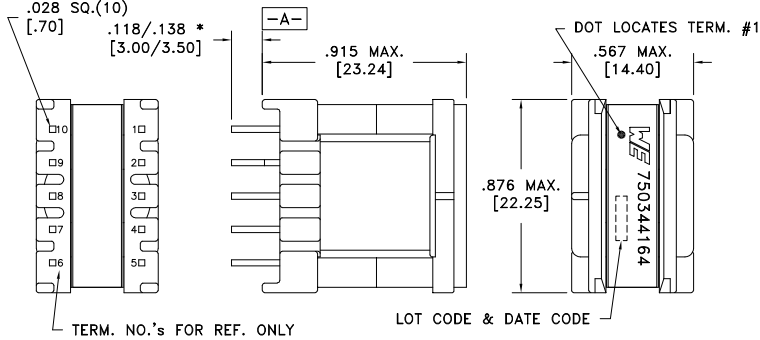


CUSTOMER TERMINAL	RoHS	LEAD(Pb)-FREE
Sn96%, Ag4%	Yes	Yes



PART MUST INSERT FULLY TO SURFACE A IN RECOMMENDED GRID .028 SQ.(10)

* DIMENSION MAY BE EXCEEDED WITH SOLDER ONLY



ELECTRICAL SPECIFICATIONS @ 25°C unless otherwise noted:

PARAMETER	TEST CONDITIONS	VALUE
D.C. RESISTANCE	3-1 @20°C	3.800 ohms max.
D.C. RESISTANCE	10-9 @20°C	0.144 ohms max.
D.C. RESISTANCE	7-6 @20°C	0.065 ohms max.
D.C. RESISTANCE	4-5 @20°C	0.800 ohms max.
INDUCTANCE	3-1 20kHz, 250mVAC, Ls	6.55mH ±10%
LEAKAGE INDUCTANCE	3-1 tie(4+5+6+7+9+10), 20kHz, 250mVAC, Ls	45.0uH max.
DIELECTRIC	1-10 tie(3+4, 7+9), 3300VAC, 1 second	-
DIELECTRIC	1-Core tie(3+4+7+9), 1500VAC, 1 second	-
TURNS RATIO	(3-1):(10-9)	12.77:1
TURNS RATIO	(3-1):(7-6)	33.2:1
TURNS RATIO	(3-1):(4-5)	12.77:1

GENERAL SPECIFICATIONS:

OPERATING TEMPERATURE RANGE: -40°C to +125°C including temp rise.

Wire insulation & RoHS status not affected by wire color.
 Wire insulation color may vary depending on availability.

REV.	DATE	Packaging Specifications Method: Tray PKG-0846 www.we-online.com/midcom		Tolerances unless otherwise specified: Angles: ±1° Fractions: ±1/64 Decimals: ±.005 [.13] Footprint: ±.001 [.03]	DRAWING TITLE TRANSFORMER	PART NO. 750344164
6A	4/22	SEE REVISION SHEET FOR REVISION LEVEL	CONVENTION PLACEMENT	This drawing is dual dimensioned. Dimensions in brackets are in millimeters.	eiSos p/n: 750344164	compliant RoHS SPECIFICATION SHEET 1 OF 1