

CUSTOMER TERMINAL	RoHS	LEAD(Pb)-FREE
Sn96%, Ag4%	Yes	Yes

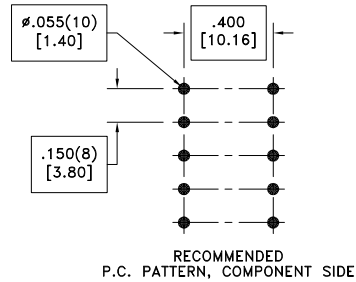
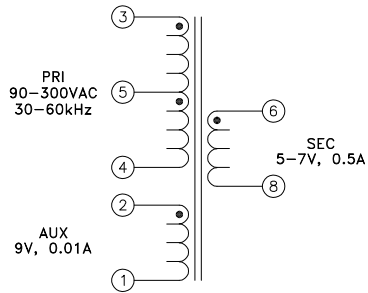
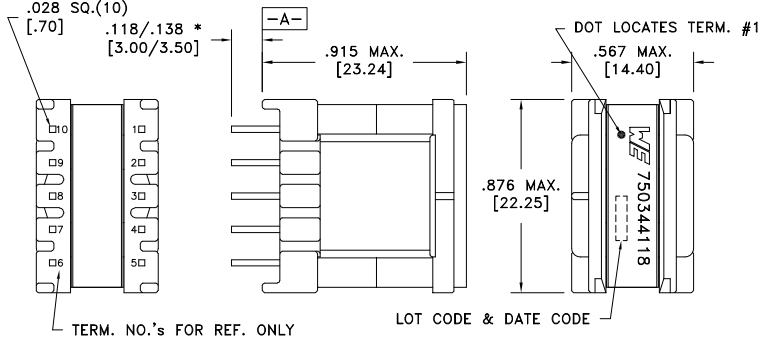


ELECTRICAL SPECIFICATIONS @ 25°C unless otherwise noted:

PARAMETER	TEST CONDITIONS	VALUE
D.C. RESISTANCE	3-4 @20°C	3.300 ohms max.
D.C. RESISTANCE	6-8 @20°C	0.183 ohms max.
D.C. RESISTANCE	2-1 @20°C	0.730 ohms max.
INDUCTANCE	3-4 60kHz, 100mVAC, Ls	2.00mH ±10%
LEAKAGE INDUCTANCE	3-4 tie(1+2+6+8), 60kHz, 100mVAC, Ls	18uH max.
DIELECTRIC	1-8 tie(2+3), 1500VAC, 1 second	-
TURNS RATIO	(3-4):(6-8)	7.22:1, ±2%
TURNS RATIO	(3-4):(2-1)	4.81:1, ±2%

\* DIMENSION MAY BE EXCEEDED WITH SOLDER ONLY

PART MUST INSERT FULLY TO SURFACE A IN RECOMMENDED GRID .028 SQ.(10)



Wire insulation & RoHS status not affected by wire color.  
 Wire insulation color may vary depending on availability.

REV.	DATE	Packaging Specifications Method: Tape & Reel PKG-0846 www.we-online.com/midcom		Tolerances unless otherwise specified: Angles: ±1° Fractions: ±1/64 Decimals: ±.005 [ .13] Footprint: ±.001 [ .03]	DRAWING TITLE <b>TRANSFORMER</b>	PART NO. <b>750344118</b>
6A	8/19	SEE REVISION SHEET FOR REVISION LEVEL	CONVENTION PLACEMENT	This drawing is dual dimensioned. Dimensions in brackets are in millimeters.	eiSos p/n: 750344118	SPECIFICATION SHEET 1 OF 1