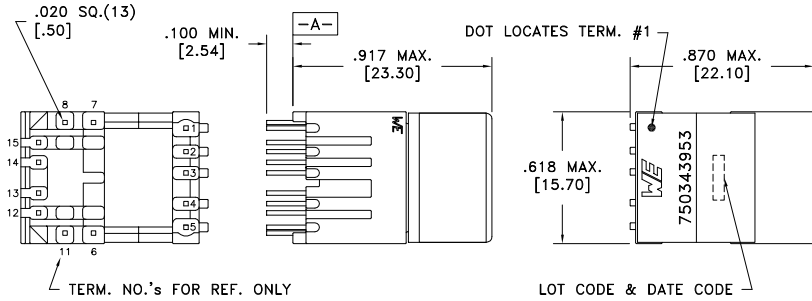


| | | |
|-------------------|------|---------------|
| CUSTOMER TERMINAL | RoHS | LEAD(Pb)-FREE |
| Sn96%, Ag4% | Yes | Yes |

more than you expect

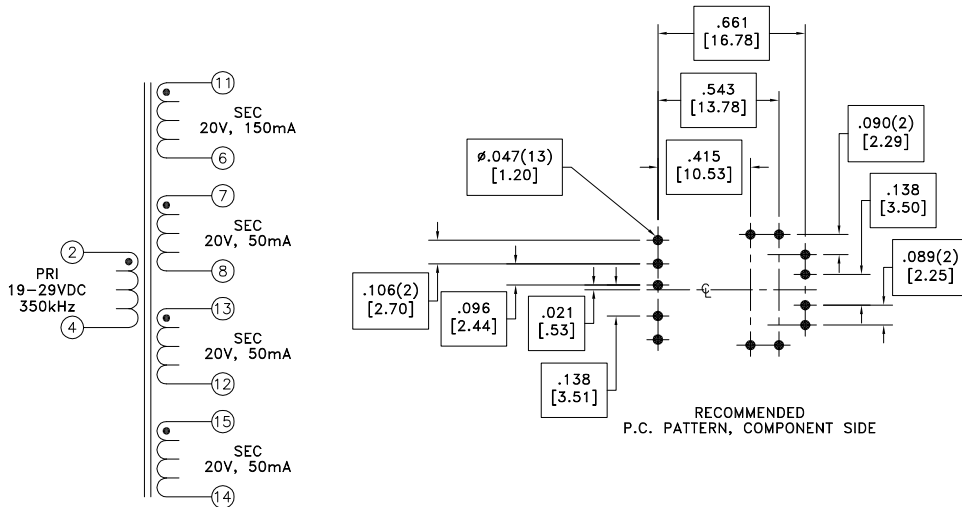


PART MUST INSERT FULLY TO SURFACE A IN RECOMMENDED GRID



ELECTRICAL SPECIFICATIONS @ 25°C unless otherwise noted:

| PARAMETER | TEST CONDITIONS | VALUE |
|--------------------|---|----------------|
| D.C. RESISTANCE | 2-4 @20°C | 0.08 ohms max. |
| D.C. RESISTANCE | 11-6 @20°C | 0.19 ohms max. |
| D.C. RESISTANCE | 7-8 @20°C | 0.30 ohms max. |
| D.C. RESISTANCE | 13-12 @20°C | 0.30 ohms max. |
| D.C. RESISTANCE | 15-14 @20°C | 0.30 ohms max. |
| INDUCTANCE | 2-4 350kHz, 100mVAC, Ls | 47.00uH ±10% |
| SATURATION CURRENT | 2-4 20% rolloff from initial | 1.6A |
| LEAKAGE INDUCTANCE | 2-4 tie(6 thru 15), 100kHz, 100mV, Ls | 1.0uH max. |
| DIELECTRIC | 2-15 tie(6+7+13+14), 3750VAC, 1 second | - |
| DIELECTRIC | 11-15 tie(8+11, 13+14), 1500VAC, 1 second | - |
| DIELECTRIC | 11-7 1500VAC, 1 second | - |
| DIELECTRIC | 13-15 1500VAC, 1 second | - |
| TURNS RATIO | (2-4):(11-6) | 1:1, ±2% |
| TURNS RATIO | (2-4):(7-8) | 1:1, ±2% |
| TURNS RATIO | (2-4):(13-12) | 1:1, ±2% |
| TURNS RATIO | (2-4):(15-14) | 1:1, ±2% |



GENERAL SPECIFICATIONS:

OPERATING TEMPERATURE RANGE: -40°C to +125°C including temp rise.

Designed to comply with the following requirements as defined by IEC61800-5:
 - Reinforced insulation for a primary circuit at a working voltage of 600Vrms, Overvoltage Category II.

Wire insulation & RoHS status not affected by wire color.
 Wire insulation color may vary depending on availability.

| | | | | | | |
|------|-------|--|--|--|-------------------------------------|------------------------------|
| REV. | DATE | Packaging Specifications Method: Tray PKG-0956 www.we-online.com/midcom | | Tolerances unless otherwise specified: Angles: ±1° Fractions: ±1/64 Decimals: ±.005 [.13] Footprint: ±.001 [.03] | DRAWING TITLE TRANSFORMER | PART NO. 750343953 |
| 6A | 12/18 | SEE REVISION SHEET FOR REVISION LEVEL | | This drawing is dual dimensioned. Dimensions in brackets are in millimeters. | eiSos p/n: 750343953 | SPECIFICATION SHEET 1 OF 1 |