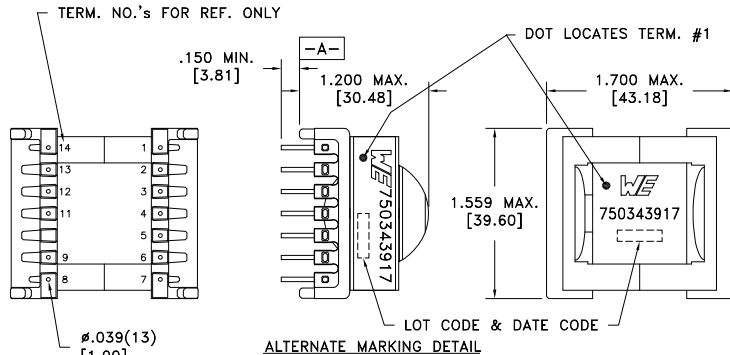


CUSTOMER TERMINAL	RoHS	LEAD(Pb)-FREE
Sn96%, Ag4%	Yes	Yes



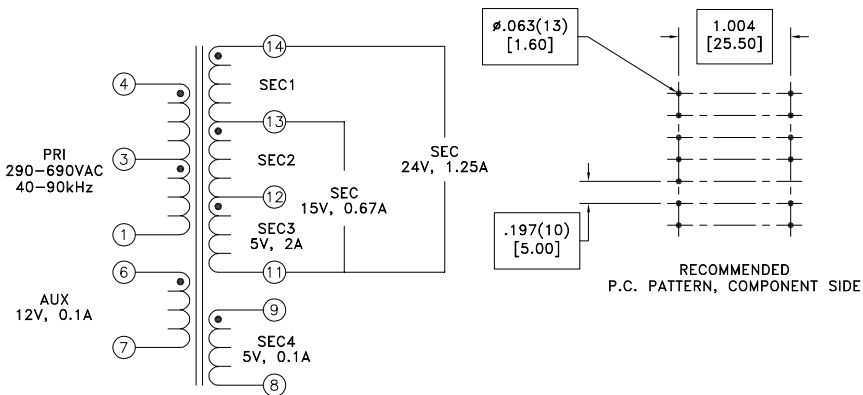
ELECTRICAL SPECIFICATIONS @ 25°C unless otherwise noted:

PARAMETER	TEST CONDITIONS	VALUE
D.C. RESISTANCE	4-1 @20°C	1.550 ohms max.
D.C. RESISTANCE	6-7 @20°C	0.330 ohms max.
D.C. RESISTANCE	9-8 @20°C	0.090 ohms max.
D.C. RESISTANCE	12-11 @20°C	0.008 ohms max.
D.C. RESISTANCE	13-12 @20°C	0.022 ohms max.
D.C. RESISTANCE	14-13 @20°C	0.030 ohms max.
INDUCTANCE	4-1 10kHz, 100mVAC, Ls	2.50mH ±10%
LEAKAGE INDUCTANCE	4-1 tie(6+7+13+14+12+11+9+8), 100kHz, 100mVAC, Ls	55uH max.
DIELECTRIC	1-14 tie(1+6, 11+9), 5800VAC, 1 second	-
DIELECTRIC	3-6 1000VAC, 1 second	-
TURNS RATIO	(4-1):(6-7)	16.71:1, ±2%
TURNS RATIO	(4-1):(9-8)	39:1, ±2%
TURNS RATIO	(4-1):(12-11)	39:1, ±2%
TURNS RATIO	(4-1):(13-11)	14.63:1, ±2%
TURNS RATIO	(4-1):(14-11)	9:1, ±2%



ALTERNATE MARKING DETAIL

TERM. NO.'s FOR REF. ONLY
 PART MUST INSERT FULLY TO SURFACE A IN RECOMMENDED GRID



RECOMMENDED P.C. PATTERN, COMPONENT SIDE

GENERAL SPECIFICATIONS:

OPERATING TEMPERATURE RANGE: -40°C to +125°C including temp rise.

Designed to comply with the following requirements as defined by IEC61800-5-1:
 - Supplementary insulation for a primary circuit at a working voltage of 690Vrms, Overvoltage Category II.

Designed to meet 7.4kV (1.2 x 50usec, 3± repetitions) surge test between PRI and SEC.

Wire insulation & RoHS status not affected by wire color.
 Wire insulation color may vary depending on availability.

REV.	DATE	Packaging Specifications Method: Tray PKG-0904 www.we-online.com/midcom		Tolerances unless otherwise specified: Angles: ±1° Fractions: ±1/64 Decimals: ±.005 [.13] Footprint: ±.001 [.03]	DRAWING TITLE TRANSFORMER	PART NO. 750343917
6A	7/19	SEE REVISION SHEET FOR REVISION LEVEL	CONVENTION PLACEMENT	This drawing is dual dimensioned. Dimensions in brackets are in millimeters.	eiSos p/n: 750343917	compliant RoHS SPECIFICATION SHEET 1 OF 1