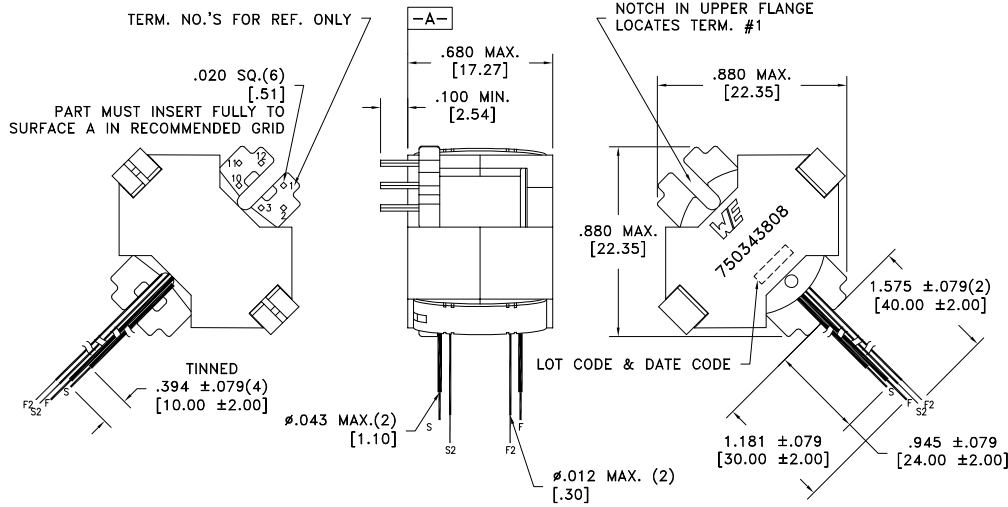
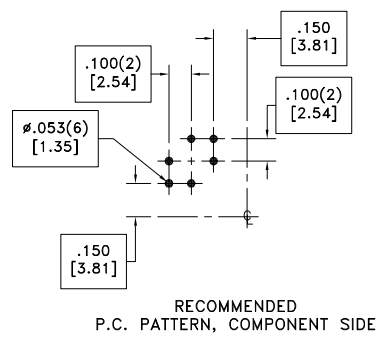
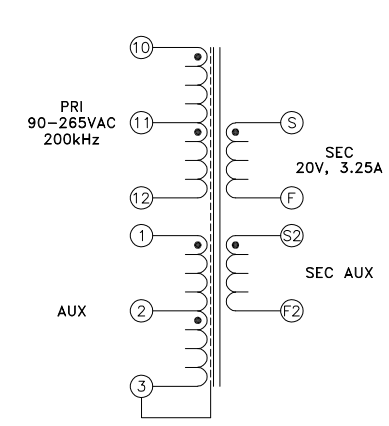


CUSTOMER TERMINAL	RoHS	LEAD(Pb)-FREE
Sn96%, Ag4%	Yes	Yes



ELECTRICAL SPECIFICATIONS @ 25°C unless otherwise noted:

PARAMETER	TEST CONDITIONS	VALUE
D.C. RESISTANCE	10-12 @20°C	0.22 ohms max.
D.C. RESISTANCE	1-2 @20°C	0.31 ohms max.
D.C. RESISTANCE	2-3 @20°C	0.17 ohms max.
D.C. RESISTANCE	S-F @20°C	0.03 ohms max.
D.C. RESISTANCE	S2-F2 @20°C	0.15 ohms max.
INDUCTANCE	10-12 10kHz, 100mVAC, Ls	300.00uH ±10%
LEAKAGE INDUCTANCE	10-12 tie(1 thru 3+S+F+S2+F2), 100kHz, 100mVAC, Ls	4.5uH max.
DIELECTRIC	10-S tie(1+12, S+S2), 3750VAC, 1 second	3000VAC, 1 minute
DIELECTRIC	S-Core tie(S+S2), 3750VAC, 1 second	3000VAC, 1 minute
URNS RATIO	(10-12):(1-2)	3.6:1
URNS RATIO	(10-12):(2-3)	7.2:1
URNS RATIO	(10-12):(S-F)	6:1
URNS RATIO	(10-12):(S2-F2)	12:1



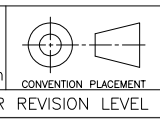
GENERAL SPECIFICATIONS:

OPERATING TEMPERATURE RANGE: -40°C to +125°C including temp rise.

Designed to comply with the following requirements as defined by IEC60950-1, EN60950-1, UL60950-1/CSA60950-1 and AS/NZS60950.1:  
 - Reinforced insulation for a primary circuit at a working voltage of 265Vrms, 400Vpeak, Overvoltage Category II, Pollution Degree 2.

Wire insulation & RoHS status not affected by wire color.  
 Wire insulation color may vary depending on availability.

REV.	DATE	Packaging Specifications
		Method: Tray PKG-1066 www.we-online.com/midcom
6A	11/20	SEE REVISION SHEET FOR REVISION LEVEL



Tolerances unless otherwise specified:  
 Angles: ±1°  
 Fractions: ±1/64  
 Decimals: ±.005 [.13]  
 Footprint: ±.001 [.03]  
 This drawing is dual dimensioned. Dimensions in brackets are in millimeters.

DRAWING TITLE  
**TRANSFORMER**  
 eiSos p/n: 750343808



PART NO.  
**750343808**  
 SPECIFICATION SHEET 1 OF 1