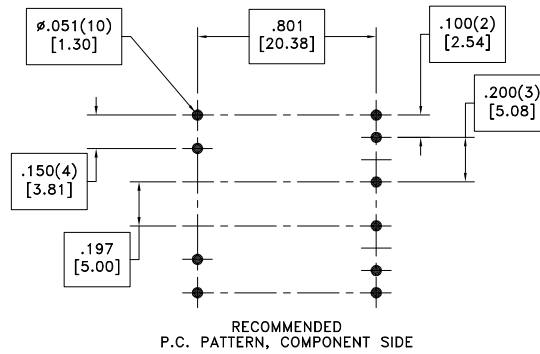
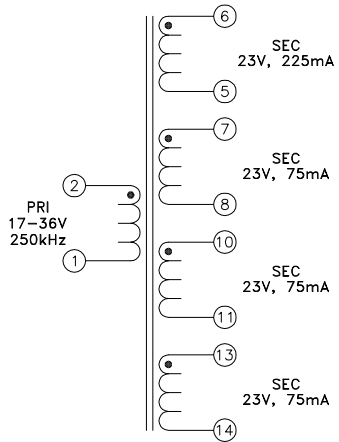
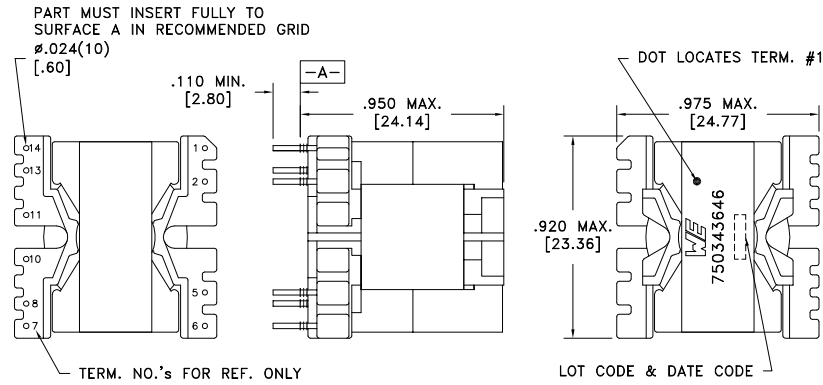


CUSTOMER TERMINAL	RoHS	LEAD(Pb)-FREE
Sn96%, Ag4%	Yes	Yes



ELECTRICAL SPECIFICATIONS @ 25°C unless otherwise noted:

PARAMETER	TEST CONDITIONS	VALUE
D.C. RESISTANCE	1-2 @20°C	0.020 ohms max.
D.C. RESISTANCE	5-6 @20°C	0.445 ohms max.
D.C. RESISTANCE	7-8 @20°C	0.475 ohms max.
D.C. RESISTANCE	10-11 @20°C	0.475 ohms max.
D.C. RESISTANCE	13-14 @20°C	0.530 ohms max.
INDUCTANCE	2-1 50kHz, 100mVAC, Ls	33.00uH $\pm 10\%$
INDUCTANCE	2-1 50kHz, 100mVAC, 5ADC, Ls	4.00uH min.
SATURATION CURRENT	2-1 20% rolloff from initial	1.8A
LEAKAGE INDUCTANCE	2-1 tie(5+6+7+8+10+11+13+14), 100kHz, 100mVAC, Ls	200nH max.
DIELECTRIC	1-14 tie(6+7+10+13), 4500VAC, 1 second	3600VAC, 5 seconds
DIELECTRIC	6-7 tie(7+10+13), 2250VAC, 1 second	1800VAC, 5 seconds
DIELECTRIC	8-10 tie(10+13), 2250VAC, 1 second	1800VAC, 5 seconds
DIELECTRIC	11-13 2250VAC, 1 second	1800VAC, 5 seconds
URNS RATIO	(6-5):(2-1)	2.75:1, $\pm 2\%$
URNS RATIO	(6-5):(7-8)	1:1, $\pm 2\%$
URNS RATIO	(6-5):(10-11)	1:1, $\pm 2\%$
URNS RATIO	(6-5):(13-14)	1:1, $\pm 2\%$

GENERAL SPECIFICATIONS:

OPERATING TEMPERATURE RANGE: -40°C to +125°C including temp rise.

Designed to comply with the following requirements as defined by IEC61800-5-1.

- Basic insulation for a primary circuit at a working voltage of 400Vrms, pollution degree 2.

Wire insulation & RoHS status not affected by wire color.
 Wire insulation color may vary depending on availability.

REV.	DATE	Packaging Specifications Method: Tray PKG-0239 www.we-online.com/midcom		Tolerances unless otherwise specified: Angles: $\pm 1^\circ$ Fractions: $\pm 1/64$	Decimals: $\pm .005$ [.13] Footprint: $\pm .001$ [.03]	DRAWING TITLE TRANSFORMER	PART NO. 750343646
6A	4/18	SEE REVISION SHEET FOR REVISION LEVEL		This drawing is dual dimensioned. Dimensions in brackets are in millimeters.		eiSos p/n: 750343646	compliant RoHS SPECIFICATION SHEET 1 OF 1