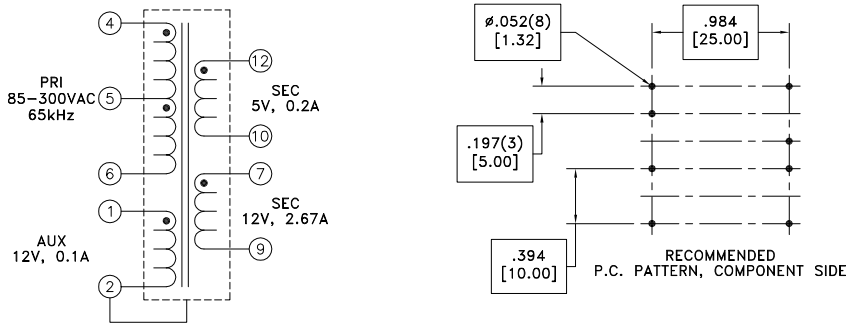
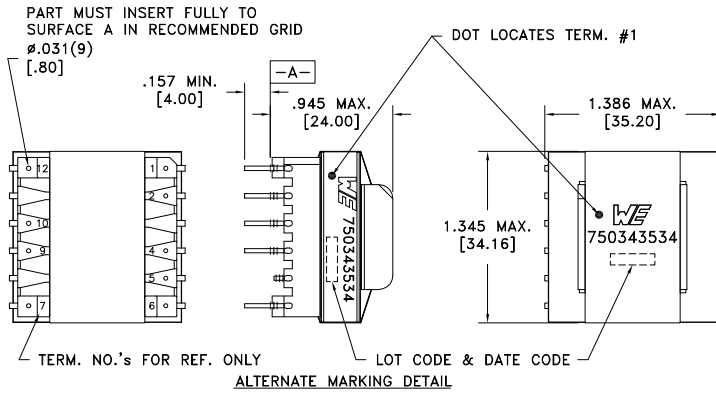


CUSTOMER TERMINAL	RoHS	LEAD(Pb)-FREE
Sn96%, Ag4%	Yes	Yes

more than you expect



ELECTRICAL SPECIFICATIONS @ 25°C unless otherwise noted:

PARAMETER	TEST CONDITIONS	VALUE
D.C. RESISTANCE	1-2 @20°C	0.081 ohms max.
D.C. RESISTANCE	4-6 @20°C	0.360 ohms max.
D.C. RESISTANCE	7-9 @20°C	0.015 ohms max.
D.C. RESISTANCE	12-10 @20°C	0.020 ohms max.
INDUCTANCE	4-6 10kHz, 100mVAC, Ls	356.00uH ±10%
LEAKAGE INDUCTANCE	4-6 tie(1+2+7+9+10+12), 100kHz, 100mVAC, Ls	10.0uH max.
DIELECTRIC	2-7 tie(2+5, 7+10), 3750VAC, 1 second	-
URNS RATIO	(4-6):(1-2)	6.25:1, ±1%
URNS RATIO	(4-6):(7-9)	7.14:1, ±1%
URNS RATIO	(4-6):(12-10)	16.67:1, ±1%

GENERAL SPECIFICATIONS:

OPERATING TEMPERATURE RANGE: -40°C to +125°C including temp rise.

Designed to comply with the following requirements as defined by IEC60950-1, EN60950-1, UL60950-1/CSA60950-1 and AS/NZS60950.1:

- Reinforced insulation for a primary circuit at a working voltage of 300Vrms, Overvoltage Category II.

Wire insulation & RoHS status not affected by wire color.
Wire insulation color may vary depending on availability.

REV.	DATE	Packaging Specifications Method: Tray PKG-1162 www.we-online.com/midcom		Tolerances unless otherwise specified: Angles: ±1° Fractions: ±1/64 Decimals: ±.005 [.13] Footprint: ±.001 [.03]	DRAWING TITLE TRANSFORMER	PART NO. 750343534
6A	12/17	SEE REVISION SHEET FOR REVISION LEVEL		This drawing is dual dimensioned. Dimensions in brackets are in millimeters.	eiSos p/n: 750343534	SPECIFICATION SHEET 1 OF 1