

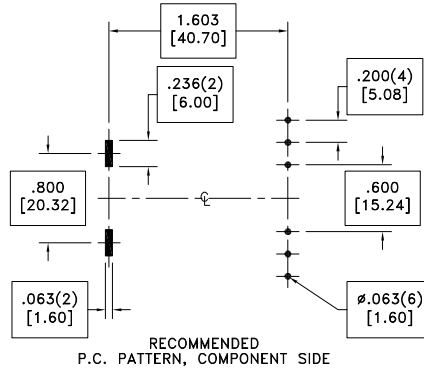
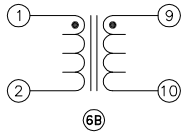
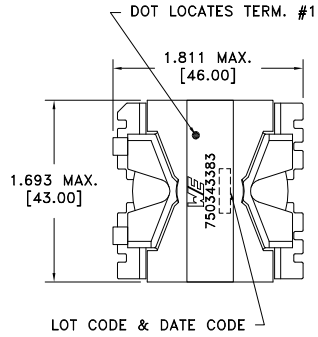
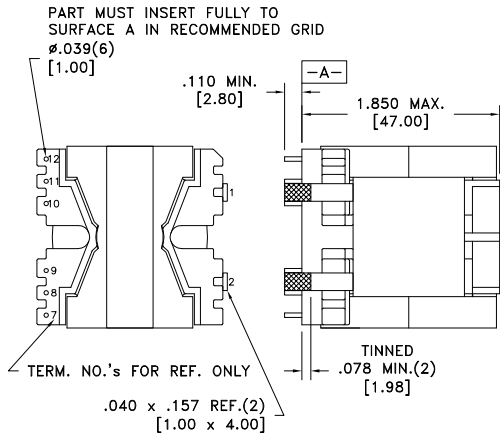
CUSTOMER TERMINAL	RoHS	LEAD(Pb)-FREE
Sn96%, Ag4%	Yes	Yes



ELECTRICAL SPECIFICATIONS @ 25°C unless otherwise noted:

PARAMETER	TEST CONDITIONS	VALUE
D.C. RESISTANCE	1-2 @20°C	0.002 ohms max.
D.C. RESISTANCE	10-9 @20°C	0.125 ohms max.
INDUCTANCE	1-2 10kHz, 100mVAC, Ls	4.5uH ±10%
SATURATION CURRENT	1-2 20% rolloff from initial	70.0A
DIELECTRIC	1-10 1000VAC, 1 second	-
⑥B TURNS RATIO	(9-10):(1-2)	2:1, ±2%

GENERAL SPECIFICATIONS:  
OPERATING TEMPERATURE RANGE: -40°C to +125°C including temp rise.



Wire insulation & RoHS status not affected by wire color.  
Wire insulation color may vary depending on availability.

REV.	DATE	Packaging Specifications
		Method: Tray
		PKG-0986
		www.we-online.com/midcom
6B	4/18	
6A	10/17	SEE REVISION SHEET FOR REVISION LEVEL



Tolerances unless otherwise specified:  
 Angles:  $\pm 1^\circ$   
 Fractions:  $\pm 1/64$   
 Decimals:  $\pm .005$  [.13]  
 Footprint:  $\pm .001$  [.03]

This drawing is dual dimensioned. Dimensions in brackets are in millimeters.

DRAWING TITLE  
**INDUCTOR**

eiSos p/n: 750343383



PART NO.  
**750343383**

SPECIFICATION SHEET 1 OF 1