

CUSTOMER TERMINAL	RoHS	LEAD(Pb)-FREE
Sn96%, Ag4%	Yes	Yes

more than you expect

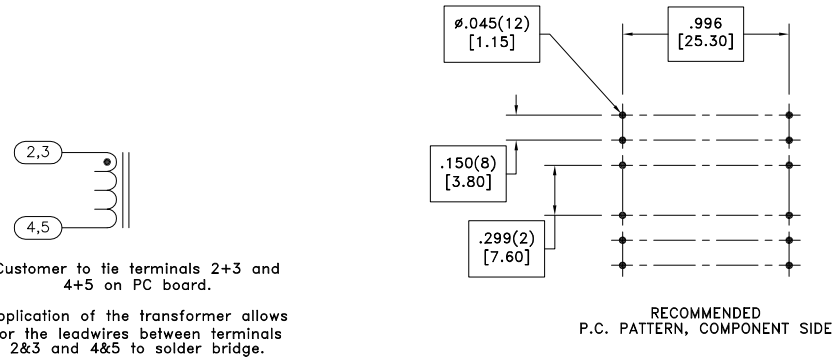
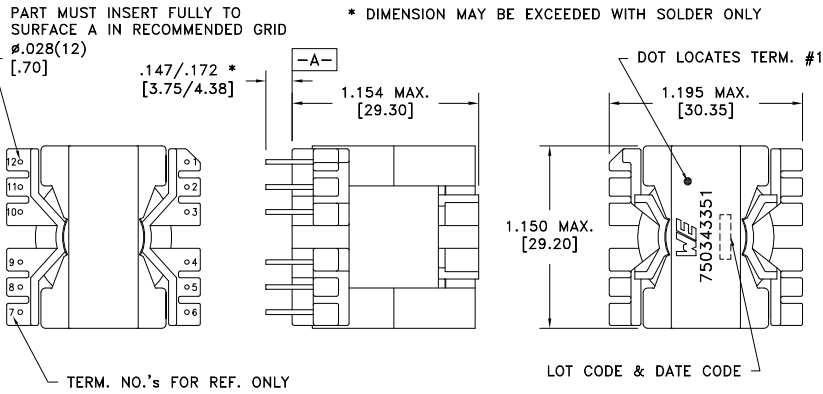


**ELECTRICAL SPECIFICATIONS @ 25°C unless otherwise noted:**

PARAMETER	TEST CONDITIONS	VALUE
D.C. RESISTANCE	2-4 tie(2+3, 4+5), @20°C	0.400 ohms max.
INDUCTANCE	2-4 tie(2+3, 4+5), 10kHz, 100mVAC, Ls	500.00uH ±10%
SATURATION CURRENT	2-4 tie(2+3, 4+5), 20% rolloff from initial	6A

**GENERAL SPECIFICATIONS:**

OPERATING TEMPERATURE RANGE: -40°C to +125°C including temp rise.



Wire insulation & RoHS status not affected by wire color.  
Wire insulation color may vary depending on availability.

REV.	DATE	Packaging Specifications Method: Tray PKG-0807 www.we-online.com/midcom		Tolerances unless otherwise specified: Angles: ±1° Fractions: ±1/64 Decimals: ±.005 [ .13 ] Footprint: ±.001 [ .03 ]	DRAWING TITLE <b>TRANSFORMER</b>	PART NO. <b>750343351</b>
6A	6/17	SEE REVISION SHEET FOR REVISION LEVEL		This drawing is dual dimensioned. Dimensions in brackets are in millimeters.	eiSos p/n: 750343351	SPECIFICATION SHEET 1 OF 1