

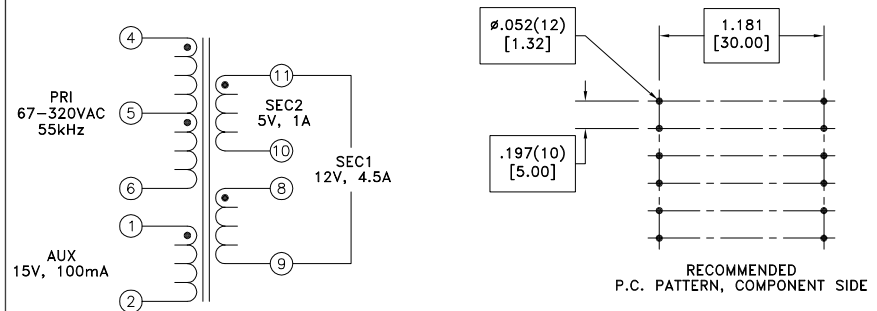
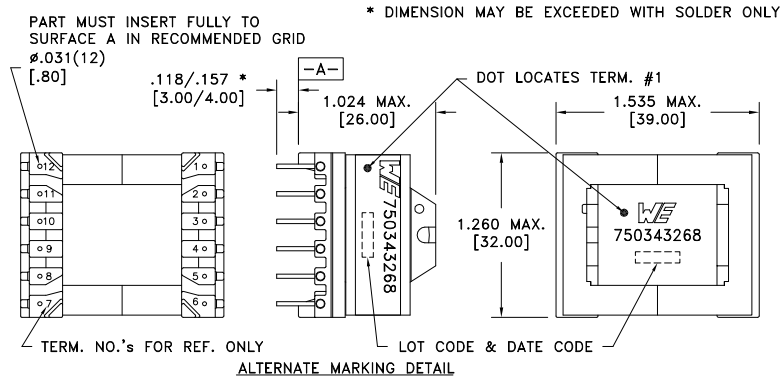
CUSTOMER TERMINAL	RoHS	LEAD(Pb)-FREE
Sn96%, Ag4%	Yes	Yes

more than you expect



ELECTRICAL SPECIFICATIONS @ 25°C unless otherwise noted:

PARAMETER	TEST CONDITIONS	VALUE
D.C. RESISTANCE	1-2 @20°C	0.092 ohms max.
D.C. RESISTANCE	4-6 @20°C	0.257 ohms max.
D.C. RESISTANCE	8-9 @20°C	0.008 ohms max.
D.C. RESISTANCE	10-11 @20°C	0.006 ohms max.
INDUCTANCE	4-6 10kHz, 100mVAC, Ls	372.00uH ±10%
SATURATION CURRENT	4-6 20% rolloff from initial	4.0A
LEAKAGE INDUCTANCE	4-6 tie(1+2+8+9+10+11), 100kHz, 100mVAC, Ls	12uH max.
DIELECTRIC	6-Core tie(2+4), 1875VAC, 1 second	1500VAC, 1 minute
DIELECTRIC	8-Core tie(9+10), 1875VAC, 1 second	1500VAC, 1 minute
DIELECTRIC	6-8 tie(2+4, 9+10), 3750VAC, 1 second	3000VAC, 1 minute
TURNS RATIO	(4-6):(1-2)	6.5:1, ±2%
TURNS RATIO	(4-6):(8-9)	13:1, ±2%
TURNS RATIO	(4-6):(11-10)	16.25:1, ±2%



GENERAL SPECIFICATIONS:

OPERATING TEMPERATURE RANGE: -40°C to +125°C including temp rise.

Designed to comply with the following requirements as defined by IEC60950-1, EN60950-1, UL60950-1/CSA60950-1 and AS/NZS60950.1:
 - Reinforced insulation for a primary circuit at a working voltage of 320Vrms, Overvoltage Category II.

Wire insulation & RoHS status not affected by wire color.
 Wire insulation color may vary depending on availability.

REV.	DATE	Packaging Specifications Method: Tray PKG-0867 www.we-online.com/midcom		Tolerances unless otherwise specified: Angles: ±1° Fractions: ±1/64	Decimals: ±.005 [.13] Footprint: ±.001 [.03]	DRAWING TITLE TRANSFORMER	PART NO. 750343268
6B	1/18	SEE REVISION SHEET FOR REVISION LEVEL		This drawing is dual dimensioned. Dimensions in brackets are in millimeters.		eiSos p/n: 750343268	
6A	11/17						SPECIFICATION SHEET 1 OF 1

