

CUSTOMER TERMINAL	RoHS	LEAD(Pb)-FREE
Sn96%, Ag4%	Yes	Yes

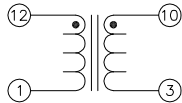
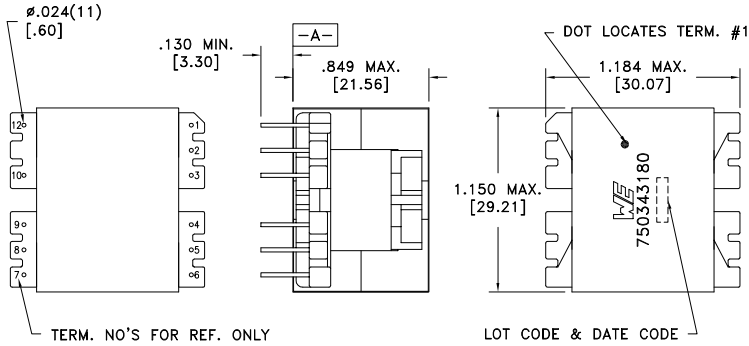
more than you expect



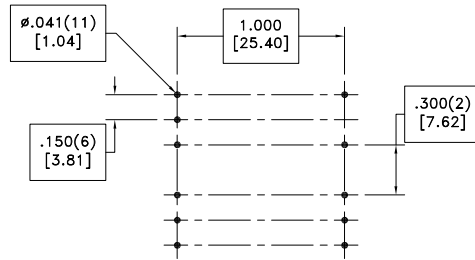
ELECTRICAL SPECIFICATIONS @ 25°C unless otherwise noted:

PARAMETER	TEST CONDITIONS	VALUE
D.C. RESISTANCE	12-1 @20°C	0.180 ohms max.
D.C. RESISTANCE	10-3 @20°C	0.250 ohms max.
INDUCTANCE	12-1 40kHz, 1VAC, Ls	425.0uH ±10%
INDUCTANCE	12-1 40kHz, 1VAC, 4.3ADC, Ls	360.0uH min.
DIELECTRIC	10-12 1250VAC, 1 second	1000VAC, 1 minute
DIELECTRIC	10-Core 1250VAC, 1 second	1000VAC, 1 minute
DIELECTRIC	12-Core 1250VAC, 1 second	1000VAC, 1 minute
URNS RATIO	(12-1):(10-3)	9.18:1, ±2%

PART MUST INSERT FULLY TO SURFACE A IN RECOMMENDED GRID



Terminals #1 & 12 are tubed.



RECOMMENDED P.C. PATTERN, COMPONENT SIDE

GENERAL SPECIFICATIONS:

OPERATING TEMPERATURE RANGE: -40°C to +125°C including temp rise.

Wire insulation & RoHS status not affected by wire color.
Wire insulation color may vary depending on availability.

REV.	DATE	Packaging Specifications
		Method: Tray
		PKG-0239
		www.we-online.com/midcom
6A	12/16	SEE REVISION SHEET FOR REVISION LEVEL



Tolerances unless otherwise specified:
Angles: $\pm 1^\circ$
Decimals: $\pm .005$ [.13]
Fractions: $\pm 1/64$
Footprint: $\pm .001$ [.03]

This drawing is dual dimensioned. Dimensions in brackets are in millimeters.

DRAWING TITLE	PART NO.
TRANSFORMER	750343180
eiSos p/n: 750343180	SPECIFICATION SHEET 1 OF 1

