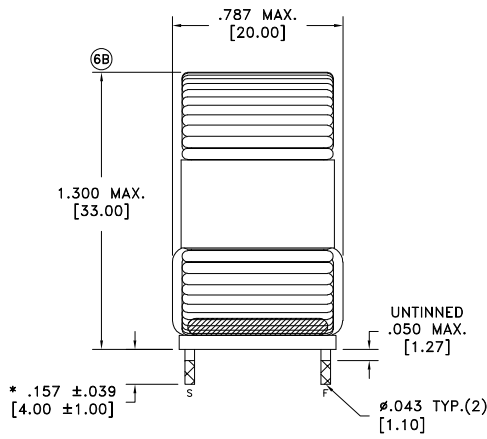
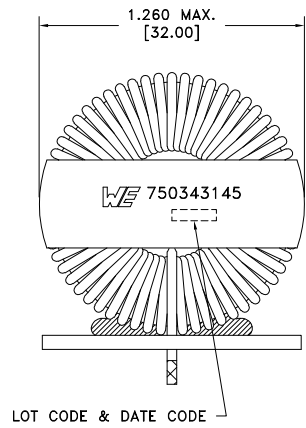


CUSTOMER TERMINAL	RoHS	LEAD(Pb)-FREE
Sn96%, Ag4%	Yes	Yes



* DIMENSION MAY BE EXCEEDED WITH SOLDER ONLY

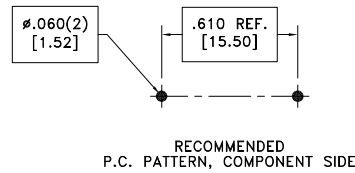
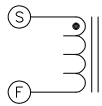


ELECTRICAL SPECIFICATIONS @ 25°C unless otherwise noted:

PARAMETER	TEST CONDITIONS	TEST CONDITIONS	VALUE
D.C. RESISTANCE	S-F	@20°C	0.075 ohms max.
INDUCTANCE	S-F	10kHz, 10mVAC, Ls	327.0uH ±10%

GENERAL SPECIFICATIONS:

OPERATING TEMPERATURE RANGE: -40°C to +125°C including temp rise.



Wire insulation & RoHS status not affected by wire color.
Wire insulation color may vary depending on availability.

REV.	DATE	Packaging Specifications Method: Tray PKG-1100 www.we-online.com/midcom		Tolerances unless otherwise specified: Angles: ±1° Fractions: ±1/64 Decimals: ±.005 [.13] Footprint: ±.001 [.03]	DRAWING TITLE INDUCTOR PFC	PART NO. 750343145
6C	6/19					
6B	5/18					
6A	10/16	SEE REVISION SHEET FOR	REVISION LEVEL	This drawing is dual dimensioned. Dimensions in brackets are in millimeters.	eiSos p/n: 750343145	SPECIFICATION SHEET 1 OF 1